

SONEL KT-670/650/560

Thermal Imagers



OVERVIEW

The Sonel KT Series Thermal Imagers are budget-friendly yet offer highly accurate temperature measurements. Robustly designed and constructed, they are ideally suited for:

- » troubleshooting electrical installations, wiring, panels, motors, breakers, transformers, switchgear, and electrical equipment,
- » monitoring the thermal performance of industrial manufacturing processes,
- » identifying overheating of mechanical and electro-mechanical components,
- » inspecting buildings for insulation leaks, energy audits, HVAC/R equipment, water damage, and pests,
- » locating hidden heat sources (of people, animals, objects) in dark/low-light conditions.

USER FRIENDLY OPERATION

The user-friendly design, light weight, and intuitive handling make Sonel thermal cameras a pleasure to use. Experienced or new users needing a professional diagnostic tool will find the menus easy to navigate via the touchscreen. Both the touchscreen and the lens swivel independently to view objects of interest that are difficult to access from any angle.

KEY FEATURES

- » Removable Li-Ion battery with 4 hour working time
- » 5" large rotating touchscreen with no image cropping
- » High brightness display gives detailed information in high ambient light or outdoors
- » Save IR images and videos (to SD card or directly to a PC)
- » Built-in report module for complete thermal analysis in the camera
- » View images as: IR, visual, "picture in picture" and MIF mode (combined visual and IR)
- » Add voice and text notes, draw graphical symbols (arrows or circles) on images
- » 5 Mpix visual camera
- » GPS, digital compass, LED flashlight and laser pointer
- » MicroUSB 2.0, Wi-Fi, Bluetooth®, Gigabit Ethernet and SD slot for data transfer
- » ThermoAnalyze2 Software for PC

SPECIFICATIONS

Model	KT-560	KT-650	KT-670
Detector type	384 x 288		640 x 480
Spectral range	8 to 14 μ m		
Thermal sensitivity	50 mK	40 mK	30 mK
	21.7° x 16.4°/25 mm	24.6° x 18.5°/25 mm	
Lens (FOV / focal length)	optional: 40.5° x 31.0°/13 mm 10.0° x 7.5°/55 mm 6.7° x 5.1°/85 mm	optional: 45.4° x 34.9°/13 mm 11.3° x 8.5°/55 mm 7.3° x 5.5°/85 mm	
Display	5", 1280 x 720, HQ touch LCD		
Viewfinder	1280 x 960 LCOS		
Picture type	IR image/Visual image/PIP/MIF (combined)		
Zoom	1 to 4x		1 to 10x
Temperature Range	Range 1: -4°F to 302°F / -20°C to 150°C Range 2: 302°F to 1472°F / 150°C to 800°C Optional: up to 3632°F / 2000°C		
Accuracy	\pm 2°C or 2% of reading		
Image Analysis Modes	5 points, 2 lines, 5 polygons; temperature display: min, max, avg; isotherm; dew point; temperature alarm	8 points, 8 lines, 8 polygons; temperature display: min, max, avg; isotherm; dew point; temperature alarm	10 points, 10 lines, 10 polygons; temperature display: min, max, avg; isotherm; dew point; temperature alarm
Palette	8		10
Emissivity	adjustable from 0.01 to 1.00 or from the list of materials		
Measurement correction	adjustable: distance, relative humidity, ambient temperature		
File format	JPG		
Notes to pictures	Voice note (up to 60 s), text, graphical		Voice note (up to 60 s), text, graphical, additional visual pictures
Reports module	Reports to PDF, printing via Wi-Fi directly from the camera or via PC		
Video file format	AVI, IRV (with temperature info)		
Built-in functions	Visual camera 5 MPix, LED flashlight, GPS, laser pointer, microphone, loudspeaker, digital compass, light sensor		
Wireless communication	Wi-Fi		Wi-Fi / Bluetooth [®]
Interface	SD card, LAN 1 Gb/s, mini HDMI, microUSB 2.0		
Power	Li-Ion battery (work time >4 hours), built-in charger, AC adapter 110-230 V, 50/60 Hz		
Work temperature	5°F to 122°F / -15°C to 50°C		
Storage temperature	-40°F to 158°F / -40°C to 70°C		
Humidity	10% to 95%		
Shock / vibration	25G, IEC 60068-2-29 / 2G, IEC 60068-2-6		
Casing	IP54		
Weight	2.9 lbs / 1.3 kg (with battery)		

EACH SONEL KT-670/650/560 THERMAL IMAGER IS SUPPLIED WITH:



LAN cable



HDMI cable



AC adapter



USB cable



Hand strap



Li-Ion battery



Carrying case



Soft carrying case



SD memory card

OPTIONAL ACCESSORIES:



External battery charger



13 mm lens

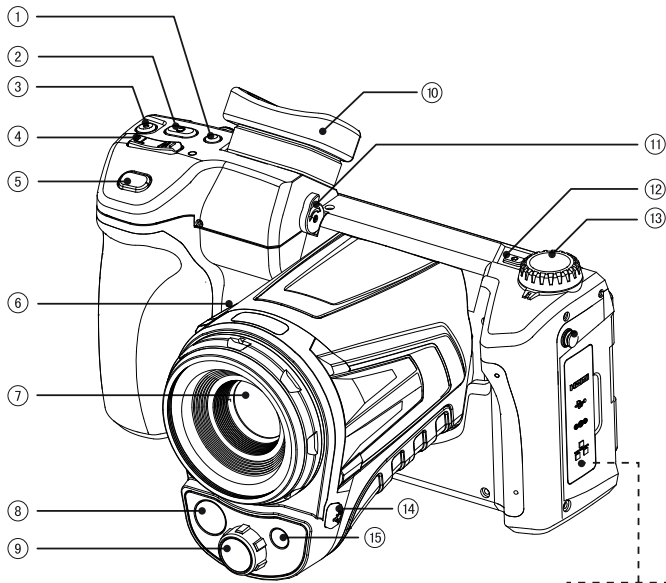


55 mm lens

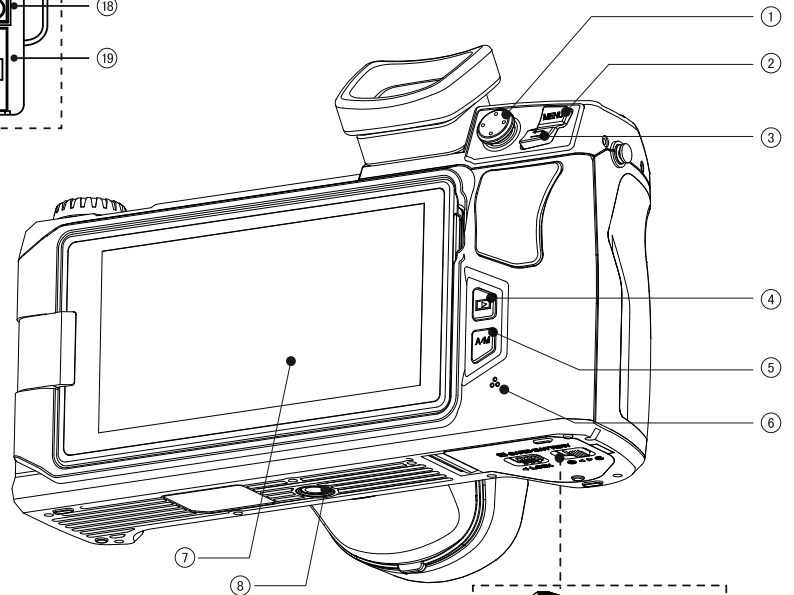
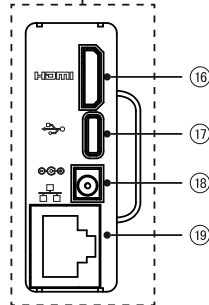


High temp filter





- | | |
|------------------|--------------------|
| 1 LCD/Viewfinder | 11 Diopter regular |
| 2 Customize | 12 Power on/off |
| 3 Video record | 13 Mode dial |
| 4 Focusing | 14 Laser button |
| 5 Photo | 15 Laser indicator |
| 6 Speaker | 16 HDMI mini |
| 7 IR lens | 17 Micro USB |
| 8 Illuminator | 18 AC adapter |
| 9 Visual light | 19 RJ45 |
| 10 Viewfinder | |



- | |
|---|
| 1 Joystick |
| 2 Menu |
| 3 Return |
| 4 Replay |
| 5 Auto/Manual (Brightness, Contrast Change) |
| 6 Microphone |
| 7 Tripod Connection |
| 8 SD card socket |
| 9 Battery Housing |

