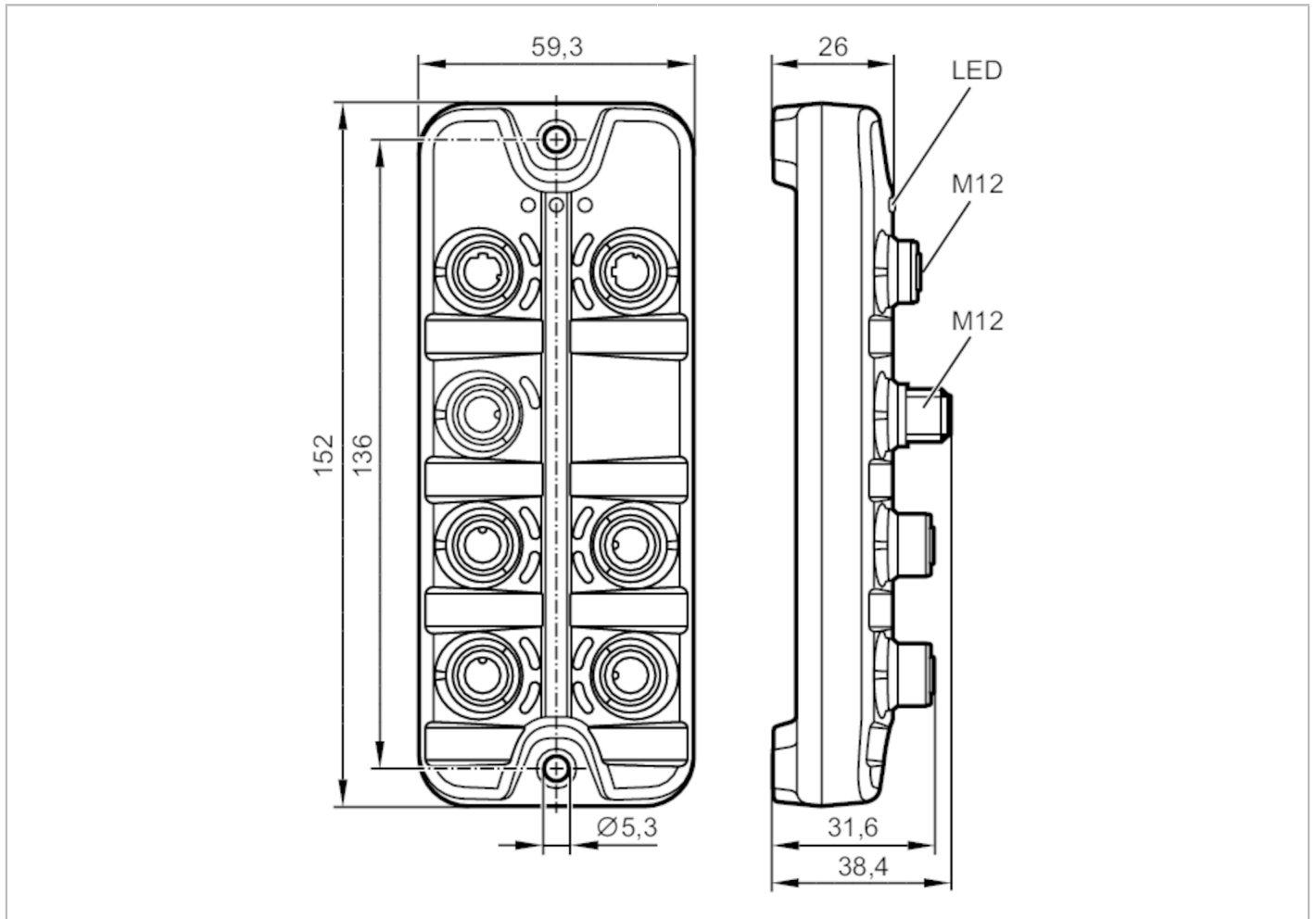


ZZ1100



IO-Link master starter kit

STARTER KIT IO-LINK



Mechanical data

Weight	[g]	750
--------	-----	-----

Accessories

Components	IO-Link master StandardLine			PROFINET	AL1100
	Power supply			230 V / 24 V (M12)	E30080
	Ethernet cable			M12 - RJ45; 0,5 m	E12490
	Connection cable			M12 - M12; 0,6 m	EVC041
	Photoelectric distance sensor				O5D150
	Parameter setting software			LR DEVICE (USB)	QA0011

ZZ1100



IO-Link master starter kit

STARTER KIT IO-LINK

Remarks	
Remarks	For additional information, please refer to the data sheets and installation instructions for the components listed above.
Pack quantity	1 pcs.