

### Description & Features:

- StabilizR™ dampened movement minimizes effects of pulsation and vibration without liquid filling
- Restrictor screw
- Stainless steel case
- Under and overload stops (4" and 6")
- Back, bottom or panel mounted
- 316L SS wetted parts
- ASME B40.100 compliant (EN837-1 available)
- CRN registered
- 5 year warranty

### Applications:

- Ideally suited for process, chemical and petroleum industry
- Where chemical compatibility and contamination is a concern

### Specifications

<b>Dial</b>	2.5" (63mm), 4" (100mm), 6" (150mm) white aluminum with black and red markings
<b>Case</b>	AISI 304 SS (dry)
<b>Lens</b>	Polycarbonate
<b>Ring</b>	AISI 304 SS bayonet
<b>Socket</b>	316L SS
<b>Connection</b>	2.5" (63mm): 1/4" NPT (other thread types are available) 4" (100mm), 6" (150mm): 1/4", 1/2" NPT (other thread types are available)
<b>Bourdon Tube</b>	316L SS
<b>Movement</b>	304 SS, (under and overload stops 4" and 6") and StabilizR™ dampened movement (silicone in sealed chamber)
<b>Pointer</b>	2.5" (63mm): Aluminum, anodized black 4" (100mm), 6" (150mm): Aluminum, anodized black, micrometer adjustable
<b>Welding</b>	Laser welded socket to case
<b>Over-pressure Limit</b>	25% for pressures up to 1,450 psi (100 bar), 15% for pressures over 1,450 psi (100 bar)
<b>Lens Ring Gasket</b>	Buna N
<b>Ambient Temperature</b>	-40°F to 250°F (-40°C to 120°C)
<b>Process Temperature</b>	-40°F to 250°F (-40°C to 120°C)
<b>Working Pressure</b>	Maximum 75% of full scale value
<b>Accuracy</b>	2.5" (63mm): ±1.5% of full scale value 4" (100mm), 6" (150mm): ±1% ANSI/ASME Grade 1A
<b>Enclosure Rating</b>	NEMA 4X/IP66, EN60529-1 (IEC529-1)

### Order Codes

Dial Size	2.5" (63mm)		4" (100mm)			
	1/4" Bottom	1/4" Back (CB)	1/4" Bottom	1/4" Back (LB)	1/2" Bottom	1/2" Back (LB)
30" Hg Vac / -1/0 bar	PFP820ZRR1R11	PFP840ZRR1R11	PFP640ZRR1R11	PFP1090ZRR1R11	PFP655ZRR1R11	PFP2308ZRR1R11
30"/0/15 psi / -1/1 bar	PFP860ZRR1R11	PFP870ZRR1R11	PFP1036ZRR1R11	PFP1244ZRR1R11	PFP1044ZRR1R11	PFP2309ZRR1R11
30"/0/30 psi / -1/2 bar	PFP861ZRR1R11	PFP871ZRR1R11	PFP1037ZRR1R11	PFP1245ZRR1R11	PFP1045ZRR1R11	PFP2310ZRR1R11
30"/0/60 psi / -1/4 bar	PFP862ZRR1R11	PFP872ZRR1R11	PFP1038ZRR1R11	PFP1246ZRR1R11	PFP1046ZRR1R11	PFP2311ZRR1R11
30"/0/100 psi / -1/7 bar	PFP863ZRR1R11	PFP873ZRR1R11	PFP1039ZRR1R11	PFP1247ZRR1R11	PFP1047ZRR1R11	PFP2312ZRR1R11
30"/0/150 psi / -1/10 bar	PFP864ZRR1R11	PFP874ZRR1R11	PFP1040ZRR1R11	PFP1248ZRR1R11	PFP1048ZRR1R11	PFP2313ZRR1R11
30"/0/200 psi / -1/14 bar	PFP866ZRR1R11	PFP876ZRR1R11	PFP1042ZRR1R11	PFP1249ZRR1R11	PFP1050ZRR1R11	PFP2314ZRR1R11
30"/0/300 psi / -1/20 bar	PFP867ZRR1R11	PFP877ZRR1R11	PFP1043ZRR1R11	PFP1250ZRR1R11	PFP1051ZRR1R11	PFP2315ZRR1R11
0/15 psi / 0/1 bar	PFP821ZRR1R11	PFP921ZRR1R11	PFP641ZRR1R11	PFP1091ZRR1R11	PFP656ZRR1R11	PFP2316ZRR1R11
0/30 psi / 0/2 bar	PFP822ZRR1R11	PFP922ZRR1R11	PFP642ZRR1R11	PFP1092ZRR1R11	PFP657ZRR1R11	PFP2317ZRR1R11
0/60 psi / 0/4 bar	PFP823ZRR1R11	PFP923ZRR1R11	PFP643ZRR1R11	PFP1093ZRR1R11	PFP658ZRR1R11	PFP2318ZRR1R11
0/100 psi / 0/7 bar	PFP824ZRR1R11	PFP924ZRR1R11	PFP644ZRR1R11	PFP1094ZRR1R11	PFP659ZRR1R11	PFP2319ZRR1R11
0/160 psi / 0/11 bar	PFP825ZRR1R11	PFP925ZRR1R11	PFP645ZRR1R11	PFP1095ZRR1R11	PFP660ZRR1R11	PFP2320ZRR1R11
0/200 psi / 0/14 bar	PFP826ZRR1R11	PFP926ZRR1R11	PFP646ZRR1R11	PFP1096ZRR1R11	PFP661ZRR1R11	PFP2321ZRR1R11
0/300 psi / 0/20 bar	PFP827ZRR1R11	PFP927ZRR1R11	PFP647ZRR1R11	PFP1097ZRR1R11	PFP662ZRR1R11	PFP2322ZRR1R11
0/400 psi / 0/28 bar	PFP880ZRR1R11	PFP881ZRR1R11	PFP650ZRR1R11	PFP1251ZRR1R11	PFP666ZRR1R11	PFP2323ZRR1R11
0/600 psi / 0/40 bar	PFP828ZRR1R11	PFP928ZRR1R11	PFP648ZRR1R11	PFP1098ZRR1R11	PFP663ZRR1R11	PFP2324ZRR1R11
0/1,000 psi / 0/70 bar	PFP829ZRR1R11	PFP929ZRR1R11	PFP649ZRR1R11	PFP1099ZRR1R11	PFP664ZRR1R11	PFP2325ZRR1R11
0/1,500 psi / 0/100 bar	PFP834ZRR1R11	PFP934ZRR1R11	PFP2301ZRR1R11	PFP1252ZRR1R11	PFP665ZRR1R11	PFP1190ZRR1R11
0/2,000 psi / 0/140 bar	PFP830ZRR1R11	PFP930ZRR1R11	PFP2302ZRR1R11	PFP1253ZRR1R11	PFP667ZRR1R11	PFP1191ZRR1R11
0/3,000 psi / 0/200 bar	PFP831ZRR1R11	PFP931ZRR1R11	PFP2303ZRR1R11	PFP1254ZRR1R11	PFP668ZRR1R11	PFP1192ZRR1R11
0/5,000 psi / 0/350 bar	PFP832ZRR1R11	PFP852ZRR1R11	PFP2304ZRR1R11	PFP1255ZRR1R11	PFP669ZRR1R11	PFP1193ZRR1R11
0/6,000 psi / 0/400 bar	PFP836ZRR1R11	PFP851ZRR1R11	PFP2305ZRR1R11	PFP1259ZRR1R11	PFP675ZRR1R11	PFP1197ZRR1R11
0/10,000 psi / 0/700 bar	PFP833ZRR1R11	PFP853ZRR1R11	PFP2306ZRR1R11	PFP1256ZRR1R11	PFP670ZRR1R11	PFP1194ZRR1R11
0/15,000 psi / 0/1,000 bar	PFP835ZRR1R11	PFP855ZRR1R11	PFP2307ZRR1R11	PFP1257ZRR1R11	PFP671ZRR1R11	PFP1195ZRR1R11
0/20,000 psi / 0/1,400 bar	PFP837ZRR1R11	-	-	PFP1258ZRR1R11	PFP672ZRR1R11	PFP1196ZRR1R11

Dial Size	6" (150mm)	
	1/4" Bottom	1/2" Bottom
30" Hg Vac / -1/0 bar	PFP1078ZRR1R11	PFP2326ZRR1R11
30"/0/15 psi / -1/1 bar	PFP1079ZRR1R11	PFP2327ZRR1R11
30"/0/30 psi / -1/2 bar	PFP1052ZRR1R11	PFP2328ZRR1R11
30"/0/60 psi / -1/4 bar	PFP1053ZRR1R11	PFP2329ZRR1R11
30"/0/100 psi / -1/7 bar	PFP1054ZRR1R11	PFP2330ZRR1R11
30"/0/150 psi / -1/10 bar	PFP1055ZRR1R11	PFP2331ZRR1R11
30"/0/200 psi / -1/14 bar	PFP1057ZRR1R11	PFP2332ZRR1R11
30"/0/300 psi / -1/20 bar	PFP1058ZRR1R11	PFP2333ZRR1R11
0/15 psi / 0/1 bar	PFP1059ZRR1R11	PFP2334ZRR1R11
0/30 psi / 0/2 bar	PFP1060ZRR1R11	PFP2335ZRR1R11
0/60 psi / 0/4 bar	PFP1061ZRR1R11	PFP2336ZRR1R11
0/100 psi / 0/7 bar	PFP1062ZRR1R11	PFP2337ZRR1R11
0/160 psi / 0/11 bar	PFP1063ZRR1R11	PFP2338ZRR1R11
0/200 psi / 0/14 bar	PFP1064ZRR1R11	PFP2339ZRR1R11
0/300 psi / 0/20 bar	PFP1065ZRR1R11	PFP2340ZRR1R11
0/400 psi / 0/28 bar	PFP1077ZRR1R11	PFP2341ZRR1R11
0/600 psi / 0/40 bar	PFP1066ZRR1R11	PFP2342ZRR1R11
0/1,000 psi / 0/70 bar	PFP1067ZRR1R11	PFP1080ZRR1R11
0/1,500 psi / 0/100 bar	PFP1068ZRR1R11	PFP1081ZRR1R11
0/2,000 psi / 0/140 bar	PFP1069ZRR1R11	PFP1082ZRR1R11
0/3,000 psi / 0/200 bar	PFP1070ZRR1R11	PFP1083ZRR1R11
0/5,000 psi / 0/350 bar	PFP1072ZRR1R11	PFP1085ZRR1R11
0/6,000 psi / 0/400 bar	-	PFP1089ZRR1R11
0/10,000 psi / 0/700 bar	PFP1073ZRR1R11	PFP1086ZRR1R11
0/15,000 psi / 0/1,000 bar	PFP1074ZRR1R11	PFP1087ZRR1R11
0/20,000 psi / 0/1,400 bar	PFP1075ZRR1R11	PFP1088ZRR1R11

Other ranges, connection sizes and thread types are available upon request. For scale change, refer to How to Order Guide for scale codes.

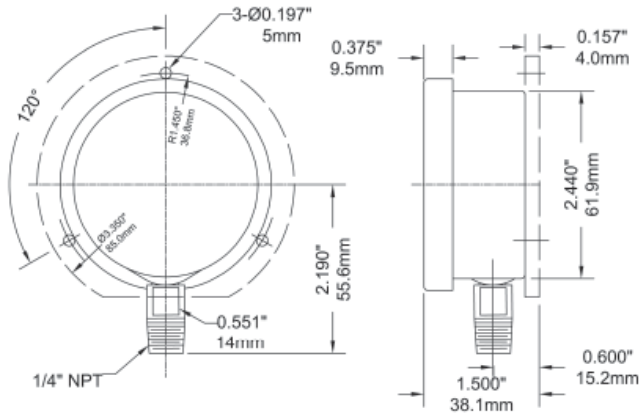
**For options, attach suffix to end of order code: i.e. PFP660ZRR1R11-4FF for FRONT FLANGE.**

**Option suffix:**

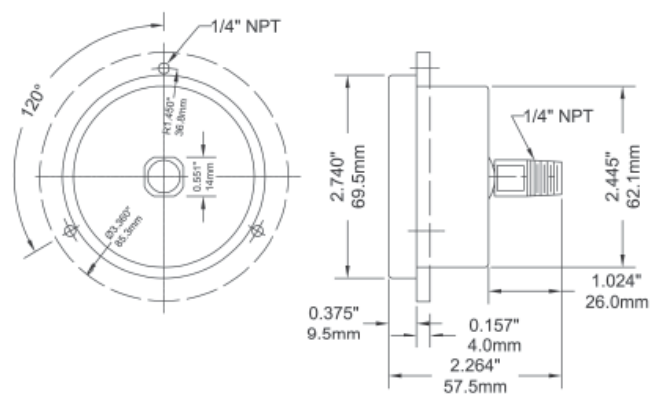
- 25BF = 2.5" (63mm) Back flange
- 25BOOT = 2.5" (63mm) Black rubber boot
- 25FF = 2.5" (63mm) Front flange
- 25SS = 2.5" (63mm) 316 SS case
- 25UC = 2.5" (63mm) U-Clamp
- 4BF = 4" (100mm) Back flange
- 4FF = 4" (100mm) Front flange
- 4SS = 4" (100mm) SS case
- 4UC-P = 4" (100mm) U-Clamp premium
- 6BF = 6" (150mm) Back flange
- 6SS = 6" (150mm) SS case
- EN = EN837-1 compliant
- MAXI25 = 2.5" (63mm) Maximum adjustable pointer
- REST = Restrictor screw
- RSP4 = 4" (100mm) Red set pointer
- RSP6 = 6" (150mm) Red set pointer
- SG25 = 2.5" (63mm) Safety glass lens
- SG-4 = 4" (100mm) Safety glass lens
- SG-6 = 6" (150mm) Safety glass lens

For WinBRIGHT dial options refer to Custom Dials

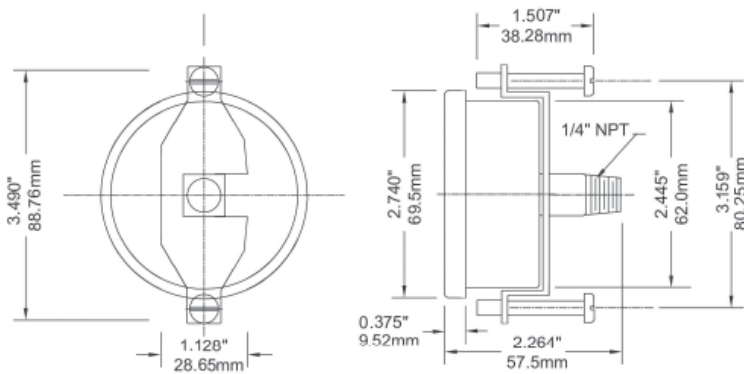
## 2.5" Bottom Connection with Back Flange



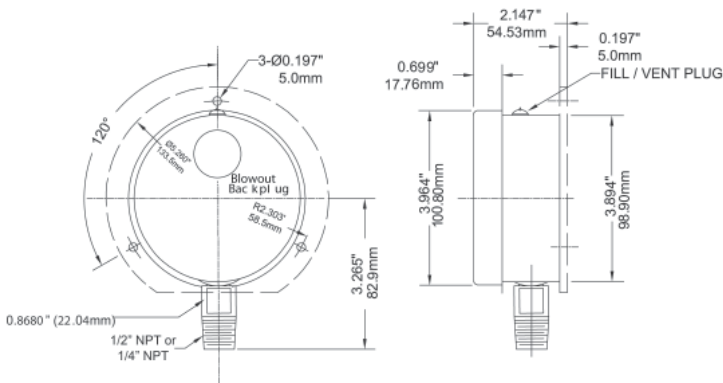
## 2.5" Back Connection with Front Flange



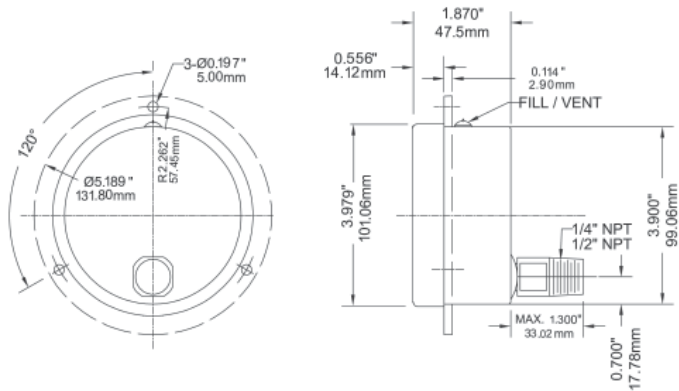
## 2.5" Back Connection with U-Clamp



## 4" Bottom Connection with Back Flange



## 4" Lower Back Connection with Front Flange



### Series Number (for custom, non-standard product)

	P	F	P							Z	R				
<b>SERIES</b>															
<b>DIAL SIZE</b>															
2.5" (63mm)					2	5									
4.0" (100mm)					4	0									
<b>CASE MATERIALS</b>															
304SS															
316SS															
<b>WETTED PARTS</b>															
316L SS															
Special															
<b>CONFIGURATION</b>															
Bottom Connection, Stem Mounting															
Bottom Connection, Back Flange, Surface Mounting															
Bottom Connection, Front Flange, Surface Mounting															
Back Connection, Stem Mounting															
Back Connection, Back Flange, Surface Mounting															
Back Connection, Wide Front Flange, (Drilled) Panel Mounting															
Back Connection, Wide Front Flange, (Undrilled) Panel Mounting															
Back Connection, Narrow Front Ring, Panel Mounting (Yoke)															
Special															
<b>CONNECTION SIZE</b>															
1/4"															
1/2"															
Special															
<b>THREAD</b>															
NPT															
BSP (G)															
BSPT (R)															
M14 x 1.5															
M20 x 1.5															
Special															
<i>PRIMARY SCALE</i>															
<b>UNITS</b>															
<b>RANGE</b>															
<i>SECONDARY SCALE</i>															
<b>UNITS</b>															
<b>OPTIONS</b>															
Black Rubber Boot															S Z
Maximum Adjustable Pointer															S J
Oxygen Cleaning															S L
Safety Glass															S A
Stainless Steel Tag Plate															S M
Test Certificate															S O
No Options															X X