

Inside Micrometers

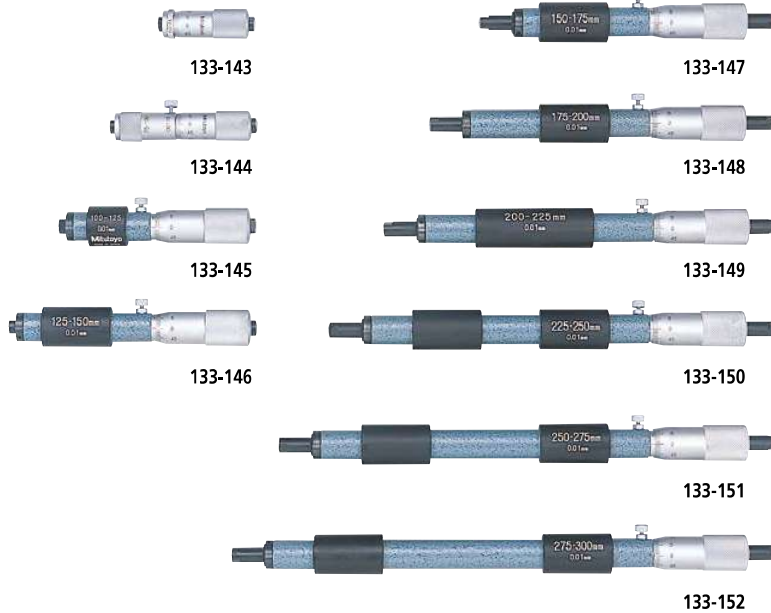
SERIES 133 – Tubular Inside Micrometer

- Standard single tube type inside micrometer.
- The sleeve is rotated to adjust the index line position when setting to a length standard.
- Carbide measuring faces.
- An optional inside-length standard, such as a setting ring or Inside Micro Checker (see pages C-37 to C-38 or page C-24, respectively), is required for accurately setting the micrometer before measurement.

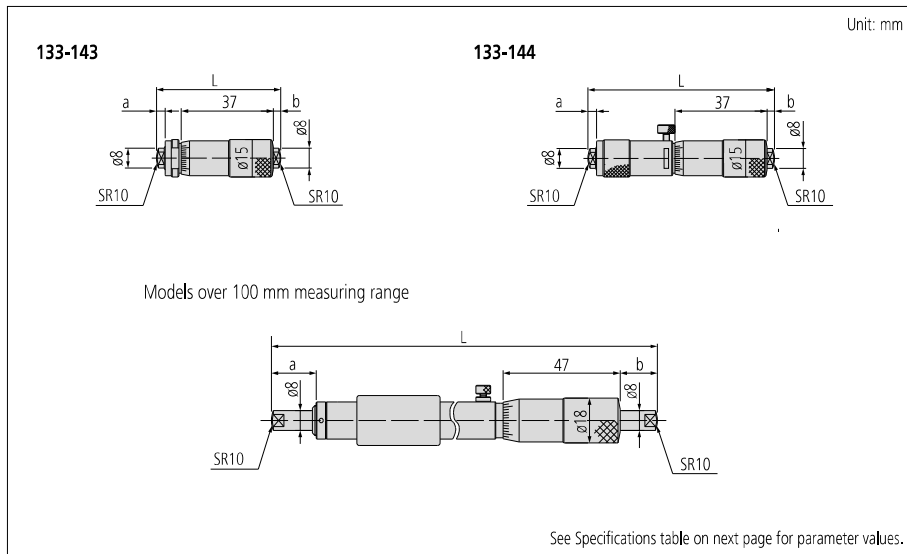


133-902 Inside Micrometer Set.

C



Dimensions



Optional Accessory

Setting rings (up to ø300 mm/ø12") refer to pages C-37 to C-38.

Specifications

Metric							
Code No.	Range	Graduation	Accuracy	L	a	b	
133-143	50-75 mm	0.01 mm	±3 μm	50	3.5	3	
133-144	75-100 mm		±4 μm	75			
133-145	100-125 mm		±5 μm	100			5
133-146	125-150 mm			125			
133-147	150-175 mm			150			
133-148	175-200 mm			175			
133-149	200-225 mm			200			
133-150	225-250 mm		±6 μm	225	18	15	
133-151	250-275 mm			250			
133-152	275-300 mm			275			
133-153	300-325 mm		±7 μm	300	18	15	
133-154	325-350 mm			325			
133-155	350-375 mm			350			
133-156	375-400 mm		±8 μm	375	18	15	
133-157	400-425 mm			400			
133-158	425-450 mm			425			
133-159	450-475 mm		±9 μm	450	18	15	
133-160	475-500 mm			475			
133-161	500-525 mm			500			
133-162	525-550 mm		±10 μm	525	18	15	
133-163	550-575 mm			550			
133-164	575-600 mm			575			
133-165	600-625 mm		±11 μm	600	18	15	
133-166	625-650 mm			625			
133-167	650-675 mm			650			
133-168	675-700 mm		±12 μm	675	18	15	
133-169	700-725 mm			700			
133-170	725-750 mm			725			
133-171	750-775 mm		±13 μm	750	18	15	
133-172	775-800 mm			775			
133-173	800-825 mm			800			
133-174	825-850 mm		±14 μm	825	18	15	
133-175	850-875 mm			850			
133-176	875-900 mm			875			
133-177	900-925 mm	±15 μm	900	18	15		
133-178	925-950 mm		925				
133-179	950-975 mm		950				
133-180	975-1000 mm	±16 μm	975				

Micrometer sets

Code No.	Range	Models included
133-901	50-150 mm (4 heads/set)	133-143/4/5/6
133-902	50-300 mm (10 heads/set)	133-143/44/45/46/47/48/49/50/51/52

Inch

Code No.	Range	Graduation	Accuracy	L	a	b
133-223	2-3"	.001"	±.00015"			
133-224	3-4"		±.0002"			
133-225	4-5"		±.00025"			
133-226	5-6"					
133-227	6-7"					
133-228	7-8"					
133-229	8-9"					
133-230	9-10"		±.0003"			
133-231	10-11"					
133-232	11-12"					

Micrometer sets

Code No.	Range	Models included
133-903	2-6" (4 heads/set)	133-223/4/5/6
133-904	2-12" (10 heads/set)	133-223/24/25/26/27/28/29/30/31/32