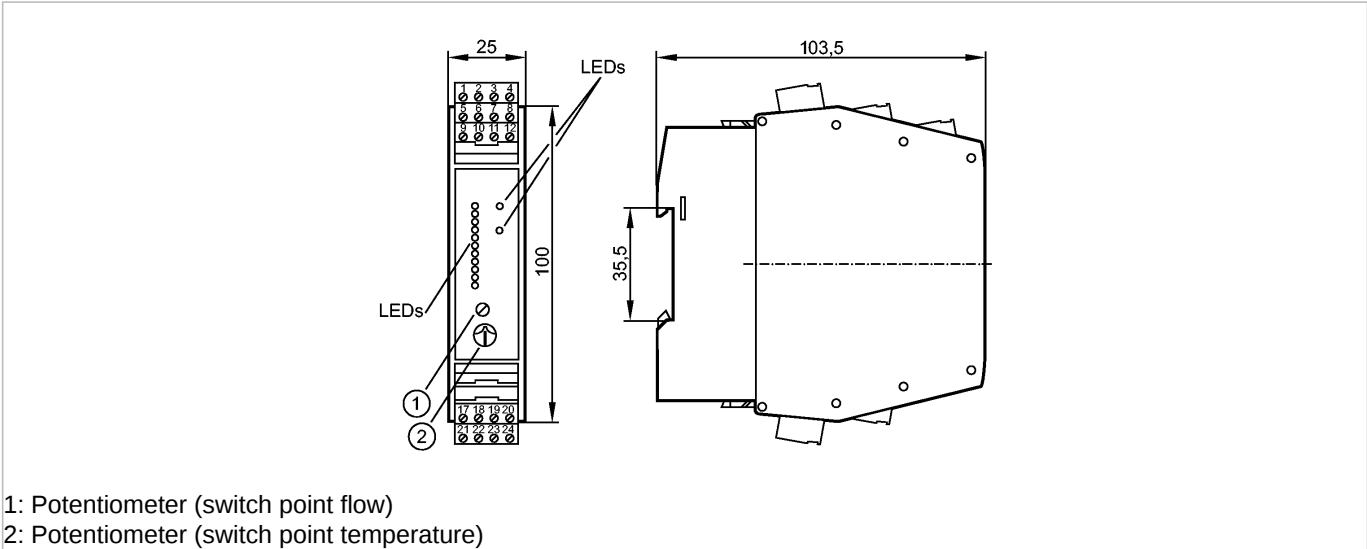


SR0150

VS3000/24VDC

Evaluation systems



Made in Germany



Product characteristics

Control monitor for flow sensors
Mounting on DIN rail
Electrical connection by means of Combicon connectors with screw terminals (fitted)
Connection: 1 sensor

Application

Application	flow, temperature and wire break monitoring
-------------	---

Electrical data

Electrical design	DC
Operating voltage [V]	24 DC
Voltage tolerance [%]	+10 / -20
Current consumption [mA]	90
Protection class	III
Reverse polarity protection	no

Outputs

Output function	Relay
Switching function	
- Flow monitoring	relay energised when flow is present and during the power-on delay time
- Temperature monitoring	relay energised when temperature is exceeded
- Wire break monitoring	relay de-energised in case of wire break or short circuit
Contact rating	4 A (250 V AC / 30 V DC)
Short-circuit proof	no
Overload protection	no
Undervoltage monitoring	In case of undervoltage all relays are de-energised, the LED "LOW VOLTAGE/WIRE BREAK-RELAY" lights

Reaction times

Power-on delay time [s]	10...80 *)
Response time [s]	max. 3

Software / programming

Adjustment of the switch point	potentiometer
Selection liquids / gases	link terminals 23-24 **)

SR0150

VS3000/24VDC

Evaluation systems

Switch point setting		potentiometer
Temperature range	[°C]	0...80
Repeatability switch point / measured value	[K]	± 4

Environment		
Ambient temperature	[°C]	-20...60, in case of sufficient free space for convection cooling
Protection		IP 20

Tests / approvals		
MTTF	[Years]	263

Mechanical data		
Housing materials		PBT
Weight	[kg]	0.233

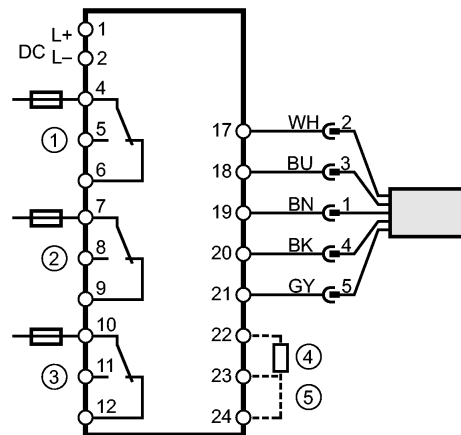
Displays / operating elements		
Function display		11 LED
Output status indication	LED	Red
Output status indication	LED	Red

Electrical connection		
Connection		Combicon connector

Wiring

Core colours

BN	brown
BU	blue
BK	black
WH	white
GY	grey



- 1 = Flow monitoring
- 2 = Wire break monitoring
- 3 = Temperature monitoring
- 4 = Power-on delay time
- 5 = Selection liquid / gas

Note: miniature fuse to IEC60127-2 sheet 1, ≤ 5 A (fast acting)

Remarks	
Remarks	<p>*) adjustable (fixed-value resistors terminals 22-23)</p> <p>**) Factory setting: Monitoring of liquids. For monitoring of gases: Link terminals 23 / 24.</p> <p>Recommendation: check the unit for reliable function after a short circuit.</p>

Pack quantity	[piece]	1
---------------	---------	---