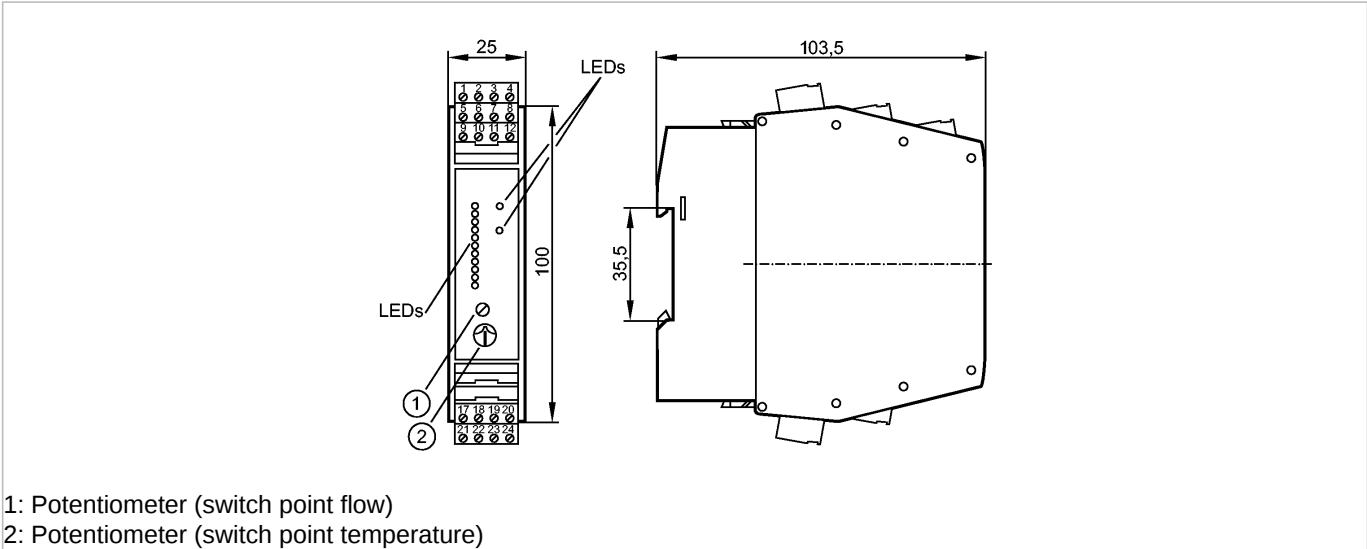


**SN0150**

VS3000/85...265VAC

Evaluation systems



- 1: Potentiometer (switch point flow)
- 2: Potentiometer (switch point temperature)

Made in Germany



**Product characteristics**

Control monitor for flow sensors
Mounting on DIN rail
Electrical connection by means of Combicon connectors with screw terminals (fitted)
Connection: 1 sensor

**Application**

Application	flow, temperature and wire break monitoring
-------------	---

**Electrical data**

Electrical design	AC
Nominal voltage [V]	90...240 AC (47...63 Hz)
Voltage tolerance [%]	-5 /+10
Power consumption [VA]	4
Protection class	II
Reverse polarity protection	no

**Outputs**

Output function	Relay
<b>Switching function</b>	
- Flow monitoring	relay energised when flow is present and during the power-on delay time
- Temperature monitoring	relay energised when temperature is exceeded
- Wire break monitoring	relay de-energised in case of wire break or short circuit
Contact rating	4 A (250 V AC / 30 V DC)
Short-circuit proof	no
Overload protection	no
Undervoltage monitoring	In case of undervoltage all relays are de-energised, the LED "LOW VOLTAGE/WIRE BREAK-RELAY" lights

**Reaction times**

Power-on delay time [s]	10...80 *)
Response time [s]	max. 3

**Software / programming**

Adjustment of the switch point	potentiometer
Selection liquids / gases	link terminals 23-24 **)

## SN0150

VS3000/85...265VAC

Evaluation systems

Switch point setting		potentiometer
Temperature range	[°C]	0...80
Repeatability switch point / measured value	[K]	± 4

Environment		
Ambient temperature	[°C]	-20...60, in case of sufficient free space for convection cooling
Protection		IP 20

Tests / approvals		
MTTF	[Years]	168

Mechanical data		
Housing materials		PBT
Weight	[kg]	0.251

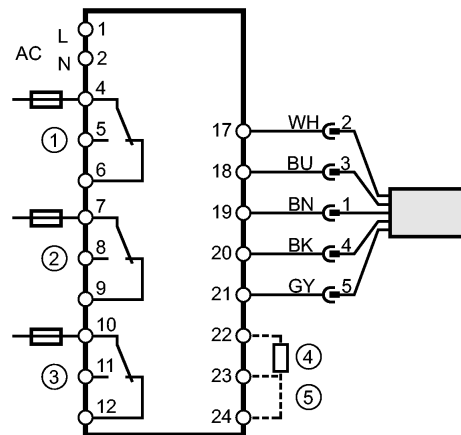
Displays / operating elements		
Function display		11 LED
Output status indication	LED	Red
Output status indication	LED	Red

Electrical connection		
Connection		Combicon connector

### Wiring

Core colours

BN	brown
BU	blue
BK	black
WH	white
GY	grey



- 1 = Flow monitoring
- 2 = Wire break monitoring
- 3 = Temperature monitoring
- 4 = Power-on delay time
- 5 = Selection liquid / gas

Note: miniature fuse to IEC60127-2 sheet 1, ≤ 5 A (fast acting)

Remarks	
Remarks	<p>*) adjustable (fixed-value resistors terminals 22-23)</p> <p>**) Factory setting: Monitoring of liquids. For monitoring of gases: Link terminals 23 / 24.</p> <p>Recommendation: check the unit for reliable function after a short circuit.</p>

Pack quantity	[piece]	1
---------------	---------	---