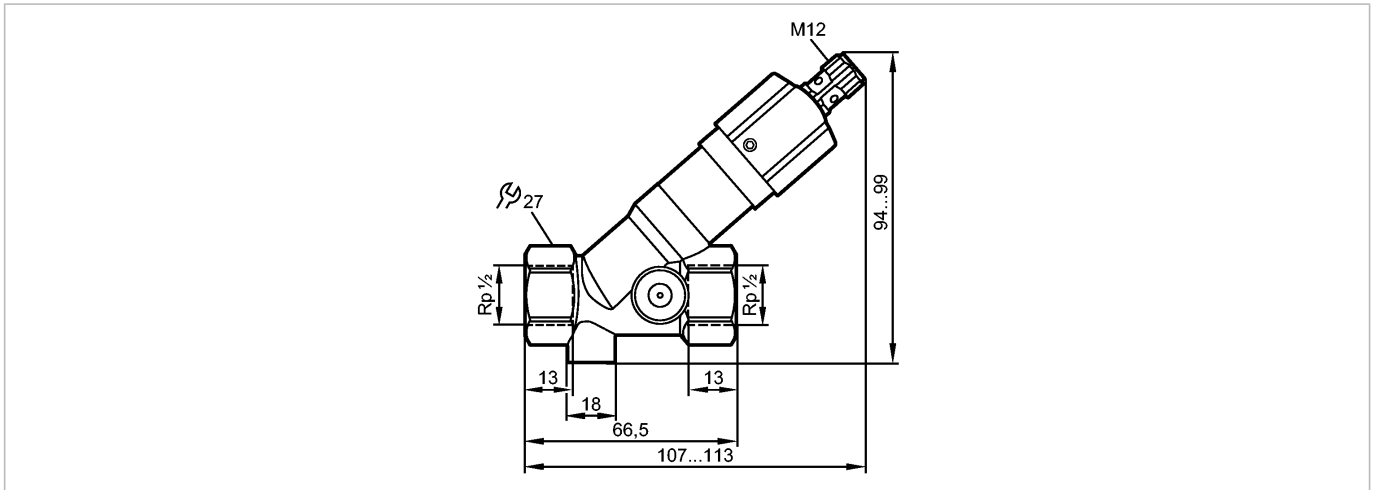


SBY321

SBY121R0BPKG/US

Flow sensors



Product characteristics

Flow monitor	
with non-return valve	
Process connection: Rp 1/2	
Setting range: 0.2...4 l/min	

Application

Application	liquids (water, glycol solutions, oils, coolants)
Pressure rating [bar]	80
Medium temperature [°C]	0...85

Electrical data

Electrical design	DC PNP
Operating voltage [V]	10...30 DC; to SELV/PELV
Current consumption [mA]	< 15
Protection class	III
Reverse polarity protection	yes

Outputs

Output function	normally open
Current rating [mA]	100
Voltage drop [V]	< 2.5
Short-circuit protection	yes
Overload protection	yes

Measuring / setting range

Setting range [l/min]	0.2...4
-----------------------	---------

Accuracy / deviations

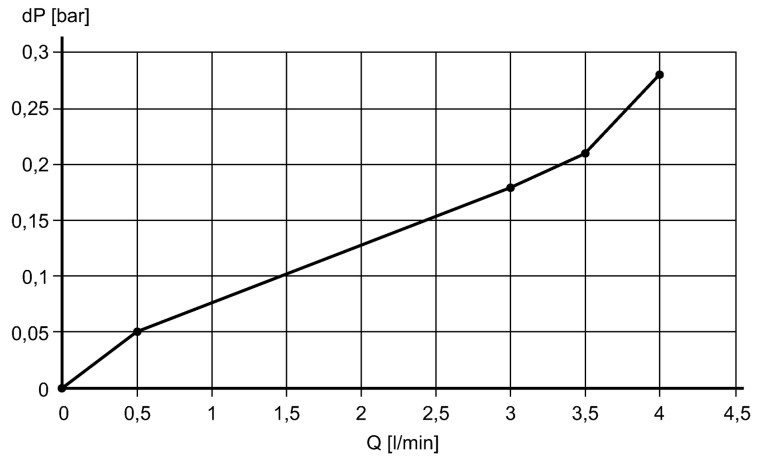
Hysteresis [l/min]	0.1...0.2
Repeatability [% of the final value]	1
Accuracy [% of the final value]	± 5

SBY321

SBY12IR0BPKG/US

Flow sensors

Pressure loss (dP) / flow rate (Q)



Reaction times

Response time [s] < 0.01

Environment

Ambient temperature [°C] 0...60

Storage temperature [°C] -15...80

Protection IP 65 / IP 67

Tests / approvals

EMC DIN EN 61000-6-2
DIN EN 61000-6-3

Shock resistance DIN EN 60068-2-27 20 g (11 ms)

Vibration resistance DIN EN 60068-2-6 5 g (10...2000 Hz)

Mechanical data

Process connection Rp ½

Materials (wetted parts) stainless steel 301 / 1.4310; stainless steel 316 / 1.4401; PBT; Brass chemically nickel-plated; PPS; O-ring: FKM Polyolefin

Housing materials Brass chemically nickel-plated; aluminium anodised; PA

Switching cycles min. 10 million

Weight [kg] 0.496

Displays / operating elements

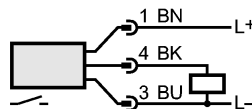
Output status indication LED yellow (4 x 90°)

Electrical connection

Connection M12 connector

Wiring

Core colours
BK black
BN brown
BU blue



Colours to DIN EN 60947-5-2

Accessories

Accessories (included) Allen key

Remarks



SBY321

SBY12IR0BPKG/US

Flow sensors

Remarks

Attention: Do not turn the setting screw beyond the maximum value of the setting range.
All data refer to water (20 °C).

Pack quantity

[piece]

1