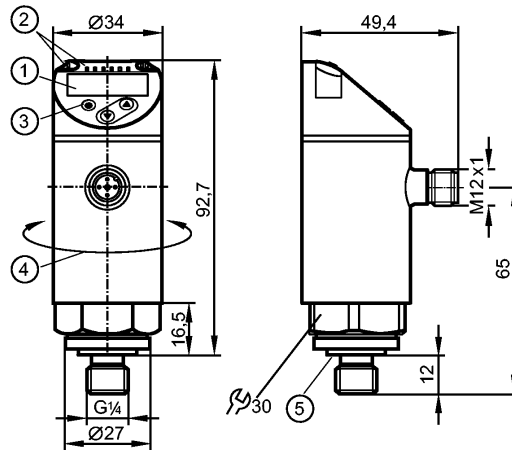


**PN7599**

PN-1-1BREG14-QFRKG/US/ V

Pressure sensors



- 1: 4-digit alphanumeric display / alternating indication of red and green
- 2: LEDs (display unit / switching status)
- 3: Programming button
- 4: Upper part of the housing can be rotated by 345°
- 5: sealing FKM / DIN 3869

Made in Germany



**Product characteristics**

Electronic pressure monitor
M12 connector
Function programmable
Measuring element: ceramic-capacitive pressure measuring cell
Process connection: G 1/4 A / M5 I
2 outputs OUT1 = switching output OUT2 = switching output
4-digit alphanumeric display / alternating indication of red and green
Measuring range: -1000...1000 mbar / -14.5...14.5 psi / -100...100 kPa / -29.4...29.4 inHg

**Application**

Application	Type of pressure: relative pressure liquids and gases of the fluid group 2 according to Article 9 of the Pressure Equipment Directive (PED)			
Pressure rating	20000 mbar	290 psi	2000 kPa	590 inHg
Bursting pressure min.	50000 mbar	725 psi	5000 kPa	1450 inHg
Medium temperature [°C]	-25...80			

**Electrical data**

Electrical design	DC PNP/NPN
Operating voltage [V]	18...30 DC 1)
Current consumption [mA]	< 35
Insulation resistance [MΩ]	> 100 (500 V DC)
Protection class	III
Reverse polarity protection	yes

**Outputs**

Output	2 outputs OUT1 = switching output OUT2 = switching output
Output function	2 x normally open / closed programmable

**PN7599**

PN-1-1BREG14-QFRKG/US/ V

**Pressure sensors**

Current rating	[mA]	150 (...80°C) / 200 (...60°C) / 250 (...40°C)
Voltage drop	[V]	< 2.5
Short-circuit protection		pulsed
Overload protection		yes
Switching frequency	[Hz]	≤ 170

**Measuring / setting range**

Measuring range	-1000...1000 mbar	-14.5...14.5 psi	-100...100 kPa	-29.4...29.4 inHg
Setting range				
Set point, SP	-980...1000 mbar	-14.3...14.5 psi	-98...100 kPa	-29...29.6 inHg
Reset point, rP	-990...990 mbar	-14.4...14.4 psi	-99...99 kPa	-29.2...29.4 inHg
in steps of	10 mbar	0.1 psi	1 kPa	0.2 inHg

**Accuracy / deviations**

Accuracy / deviations (in % of the span)	
Switch point accuracy	< ± 0.5
Characteristics deviation *)	< ± 0.25 (BFSL) / < ± 0.5 (LS)
Hysteresis	< ± 0.25
Repeatability **)	< ± 0.1
Long-term stability ***)	< ± 0.05
Temperature coefficients (TEMPCO) in the temperature range -25...80° C (in % of the span per 10 K)	
Greatest TEMPCO of the zero point	0.2
Greatest TEMPCO of the span	0.2

**Reaction times**

Power-on delay time	[s]	< 0.3
Min. response time switching output	[ms]	< 3
Delay time programmable dS, dr	[s]	0...50
Integrated watchdog		yes

**Software / programming**

Programming options	hysteresis / window function; NO / NC; output polarity; on delay, off delay; damping; display unit
---------------------	--

**Interfaces**

IO-Link Device		
Transfer type	COM2 (38.4 kBaud)	
IO-Link revision	1.1	
SDCI standard	IEC 61131-9	
IO-Link Device ID	406 d / 00 01 96 h	
Profiles	Smart Sensor: Process Data Variable; Device Identification, Device Diagnosis	
SIO mode	yes	
Required master port type	A	
Process data analogue	1	
Process data binary	2	
Min. process cycle time	[ms]	2.3

**Environment**

Ambient temperature	[°C]	-25...80
Storage temperature	[°C]	-40...100

**PN7599**

PN-1-1BREG14-QFRKG/US/ IV

**Pressure sensors**

Protection	IP 65 / IP 67
------------	---------------

**Tests / approvals**

Pressure equipment directive	Article 3, section 3 - sound engineering practice
EMC	DIN EN 61000-6-2 DIN EN 61000-6-3
Shock resistance	DIN EN 60068-2-27: 50 g (11 ms)
Vibration resistance	DIN EN 60068-2-6: 20 g (10...2000 Hz)
MTTF [Years]	224.01
UL approval number	J001

**Mechanical data**

Process connection	G ¼ A / M5 I
Materials (wetted parts)	1.4404; ceramics; FKM
Housing materials	1.4404; PBT/PC-GF 30; PBT-GF 20; PC
Switching cycles min.	100 million
Tightening torque [Nm]	25...35 (recommended tightening torque²)
Weight [kg]	0.258

**Displays / operating elements**

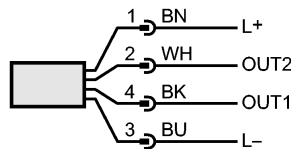
Display	Display unit 4 x LED green (bar, psi, kPa, inHg) Switching status 2 x LED yellow 4-digit alphanumeric display / alternating indication Measured values of red and green
---------	--

**Electrical connection**

Connection	M12 connector; Gold-plated contacts
------------	-------------------------------------

**Wiring**

- Core colours
- BK black
- BN brown
- BU blue
- WH white



OUT1: switching output or IO-Link  
 OUT2: switching output  
 Colours to DIN EN 60947-5-6

**Remarks**

Remarks	1) to EN50178, SELV, PELV *) BFSL = Best Fit Straight Line / LS = Limit Value Setting **) with temperature fluctuations < 10 K ***) in% of the span / 6 months 2) Depends on lubrication, seal and pressure rating
---------	--

Pack quantity [piece]	1
-----------------------	---