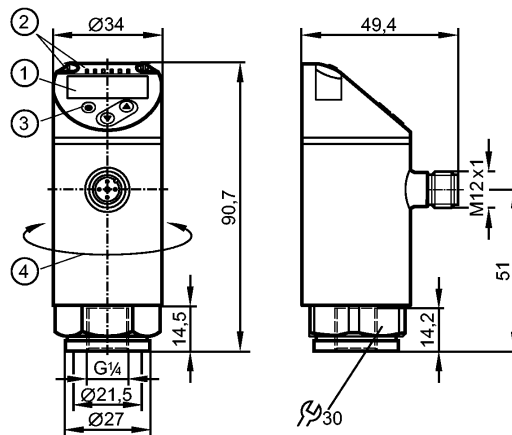


PN3096

PN-2.5-RER14-MFRKG/US/ IV

Pressure sensors



- 1: 4-digit alphanumeric display / alternating indication of red and green
- 2: LEDs (display unit / switching status)
- 3: Programming button
- 4: Upper part of the housing can be rotated by 345°

Made in Germany



Product characteristics

Electronic pressure sensor
M12 connector
Function programmable
Measuring element: ceramic-capacitive pressure measuring cell
Process connection: G 1/4 I
2 outputs OUT1 = switching output OUT2 = analogue output
4-digit alphanumeric display / alternating indication of red and green
Measuring range: 0...2.5 bar / 0...36.2 psi / 0...250 kPa

Application

Application	Type of pressure: relative pressure Group 2 fluids according to the Pressure Equipment Directive (PED), group 1 fluids on request		
Pressure rating	20 bar	290 psi	2000 kPa
Bursting pressure min.	50 bar	725 psi	5000 kPa
Vacuum resistance [mbar]	-1000		
Medium temperature [°C]	-25...80		

Electrical data

Electrical design	DC PNP
Operating voltage [V]	18...30 DC ¹⁾
Current consumption [mA]	< 35
Insulation resistance [MΩ]	> 100 (500 V DC)
Protection class	III
Reverse polarity protection	yes

Outputs

Output	2 outputs OUT1 = switching output OUT2 = analogue output
Output function	normally open / closed programmable; 4...20 mA or 0...10 V

PN3096

PN-2.5-RER14-MFRKG/US/ IV

Pressure sensors

Current rating	[mA]	150 (...80°C) / 200 (...60°C) / 250 (...40°C)
Voltage drop	[V]	< 2.5
Short-circuit protection		pulsed
Overload protection		yes
Switching frequency	[Hz]	≤ 170
Analogue output		4...20 mA; 0...10 V
Max. load	[Ω]	4...20 mA: max. 500
Min. load resistance	[Ω]	0...10 V: min. 2000

Measuring / setting range

Measuring range	0...2.5 bar	0...36.2 psi	0...250 kPa
Setting range			
Set point, SP	0.02...2.5 bar	0.4...36.2 psi	2...250 kPa
Reset point, rP	0.01...2.49 bar	0.2...36 psi	1...249 kPa
in steps of	0.01 bar	0.2 psi	1 kPa

Accuracy / deviations

Accuracy / deviations (in % of the span)			
Switch point accuracy		< ± 0.5	
Characteristics deviation *)		< ± 0.25 (BFSL) / < ± 0.5 (LS)	
Hysteresis		< ± 0.25	
Repeatability **)		< ± 0.1	
Long-term stability ***)		< ± 0.05	
Temperature coefficients (TEMPCO) in the temperature range -25...80° C (in % of the span per 10 K)			
Greatest TEMPCO of the zero point		0.2	
Greatest TEMPCO of the span		0.2	

Reaction times

Power-on delay time	[s]	0.3
Min. response time switching output	[ms]	< 3
Delay time programmable dS, dr	[s]	0...50
Damping for the switching output (dAP)	[s]	0...4
Damping for the analogue output (dAA)	[s]	0...4
Response time analogue output	[ms]	< 3
Integrated watchdog		yes

Software / programming

Programming options	hysteresis / window function; NO / NC; on delay, off delay; damping; display unit; current/ voltage output
---------------------	--

Interfaces

IO-Link Device	
Transfer type	COM2
IO-Link revision	1.1
SDCI standard	IEC 61131-9
IO-Link Device ID	432 d / 00 01 b0 h
Profiles	Smart Sensor: Process Data Variable; Device Identification, Device Diagnosis
SIO mode	yes

PN3096

PN-2.5-RER14-MFRKG/US/ IV

Pressure sensors

Required master port type	A
Process data analogue	1
Process data binary	1
Min. process cycle time [ms]	2.3

Environment	
Ambient temperature [°C]	-25...80
Storage temperature [°C]	-40...100
Protection	IP 65 / IP 67

Tests / approvals	
Pressure equipment directive	97/23/EG: Sound engineering practice
EMC	DIN EN 61000-6-2 DIN EN 61000-6-3
Shock resistance	DIN EN 60068-2-27: 50 g (11 ms)
Vibration resistance	DIN EN 60068-2-6: 20 g (10...2000 Hz)

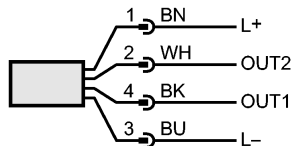
Mechanical data	
Process connection	G ¼ I
Materials (wetted parts)	stainless steel (316L / 1.4404); Al2O3 (ceramics); FKM
Housing materials	1.4404 (V4A / 316L); PBT/PC-GF 30; PBT-GF 20; PC
Min. pressure cycles	100 million
Tightening torque [Nm]	25...35 (recommended tightening torque ²)
Weight [kg]	0.231

Displays / operating elements	
Display	Display unit 3 x LED green (bar, psi, kPa) Switching status 1 x LED yellow 4-digit alphanumeric display / alternating indication Measured values of red and green

Electrical connection	
Connection	M12 connector; Gold-plated contacts

Wiring

Core colours
 BK black
 BN brown
 BU blue
 WH white



OUT1: switching output or IO-Link
 OUT2: 4...20 mA / 0...10 V
 Colours to DIN EN 60947-5-6

Remarks	
Remarks	*) BFSL = Best Fit Straight Line / LS = Limit Value Setting **) with temperature fluctuations < 10 K ***) in% of the span / 6 months 1) to EN50178, SELV, PELV 2) Depends on lubrication, seal and pressure rating
Pack quantity [piece]	1