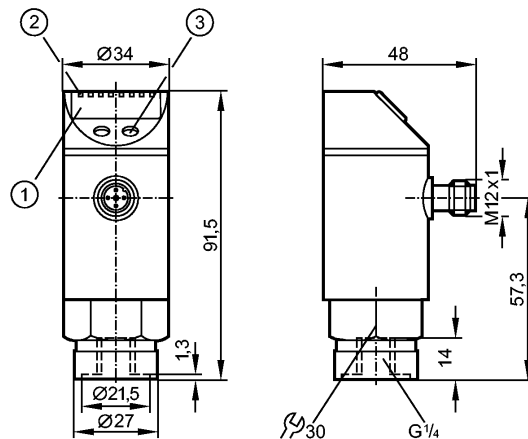


PN3007

PN-001BRBR14-MFPKG/US/ IV

Pressure sensors



- 1: 4-digit alphanumeric display
- 2: LEDs (display unit / switching status)
- 3: Programming button



Made in Germany

Product characteristics

Combined pressure sensor
Connector
Process connection: G 1/4 I
Display units:
mbar, kPa, psi, inHg
Function programmable
Switching output, Analogue output
4-digit alphanumeric display
Measuring range: 0...1000 mbar

Application

Application	Type of pressure: relative pressure Liquids and gases
Pressure rating [mbar]	10000
Bursting pressure min. [mbar]	30000
Medium temperature [°C]	-25...80

Electrical data

Electrical design	DC PNP
Operating voltage [V]	18...36 DC 1)
Current consumption [mA]	< 50
Insulation resistance [MΩ]	> 100 (500 V DC)
Protection class	III
Reverse polarity protection	yes
Overvoltage protection [V]	up to 40 V

Outputs

Output	Switching output, Analogue output
Output function	normally open / closed programmable; 4...20 mA or 0...10 V
Current rating [mA]	250
Voltage drop [V]	< 2
Short-circuit protection	pulsed

PN3007

PN-001BRBR14-MFPKG/US/ IV

Pressure sensors

Switching frequency [Hz]	≤ 170
Analogue output	4...20 mA / 0...10 V
Max. load [Ω]	4...20 mA: max. 500 / 0...10 V: min. 2000

Measuring / setting range	
Measuring range [mbar]	0...1000
Setting range	
Set point, SP [mbar]	10...1000
Reset point, rP [mbar]	5...995
in steps of [mbar]	5
Factory setting	SP1 = 250 mbar; rP1 = 230 mbar

Accuracy / deviations	
Accuracy / deviations (in % of the span)	
Switch point accuracy	< ± 0.5
Characteristics deviation *)	< ± 0.25 (BFSL) / < ± 0.5 (LS)
Hysteresis	< ± 0.25
Repeatability **)	< ± 0.1
Long-term stability ***)	< ± 0.05
Temperature coefficients (TEMPCO) in the temperature range -20...80° C (in % of the span per 10 K)	
Greatest TEMPCO of the zero point	0.2
Greatest TEMPCO of the span	0.2

Reaction times	
Power-on delay time [s]	0.3
Delay time programmable dS, dr [s]	0; 0.2...50
Response time analogue output [ms]	< 3
Integrated watchdog	yes

Software / programming	
Programming options	hysteresis / window function; N.O. / N.C; on delay, off delay; damping; display unit; current / voltage output

Environment	
Ambient temperature [°C]	-20...80
Storage temperature [°C]	-40...100
Protection	IP 65

Tests / approvals		
EMC	EN 61000-4-2 ESD:	4 kV CD / 8 kV AD
	EN 61000-4-3 HF radiated:	10 V/m
	EN 61000-4-4 Burst:	2 kV
	EN 61000-4-5 Surge:	0.5/1 kV
	EN 61000-4-6 HF conducted:	10 V
	Shock resistance	DIN IEC 68-2-27:
Vibration resistance	DIN IEC 68-2-6:	20 g (10...2000 Hz)
MTTF [Years]		213

Mechanical data	
Process connection	G ¼ I
Materials (wetted parts)	stainless steel (303S22); ceramics; FPM (Viton)
Housing materials	stainless steel (304S15); stainless steel 316L / 1.4404; PC (Makrolon); PBT (Pocan); PEI; FPM (Viton); PTFE

PN3007

PN-001BRBR14-MFPKG/US/ IV

Pressure sensors

Switching cycles min.	100 million
Weight [kg]	0.261

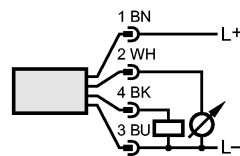
Displays / operating elements

Display	Display unit 4 x LED green Switching status LED yellow Function display 4-digit alphanumeric display Measured values 4-digit alphanumeric display
---------	--

Electrical connection

Connection	M12 connector; Gold-plated contacts
------------	-------------------------------------

Wiring



Remarks

Remarks	1) to EN50178, SELV, PELV *) BFSL = Best Fit Straight Line / LS = Limit Value Setting **) with temperature fluctuations < 10 K ***) in % of value of measuring range / 6 months
---------	--

Pack quantity [piece]	1
-----------------------	---