


### Description & Features:

- StabiliZR™ dampened movement minimizes effects of pulsation and vibration without liquid filling (flutterless pointer)
- Restricted orifice standard
- Crimp-on bezel
- Brass internals
- Dual scale (psi/kPa)
- U-Clamps and front flanges for panel mounting
- ASME B40.100 compliant (EN837-1 available)
- CRN registered
- 5 year warranty

### Applications:

- Ideal for pumps, compressors, hydraulic presses, machinery and motors that operate in harsh environments

### Specifications

<b>Dial</b>	2.5" (63mm), 4" (100mm) aluminum with red and black markings
<b>Case</b>	304 SS (dry)
<b>Lens</b>	Polycarbonate
<b>Ring</b>	304 SS (crimped on)
<b>Socket</b>	Brass with restricted orifice
<b>Connection</b>	1/4" or 1/2" NPT (other thread types are available)
<b>Bourdon Tube</b>	Bronze
<b>Movement</b>	Bronze with StabiliZR™ dampened movement (silicone in sealed chamber)
<b>Pointer</b>	Anodized black aluminum
<b>Over-pressure Limit</b>	25% for pressures up to 1,450 psi (100 bar), 15% for pressures over 1,450 psi (100 bar)
<b>Socket Gasket</b>	Buna N for two-piece internal socket seal
<b>Fill Plug</b>	Buna N
<b>Lens Ring Gasket</b>	Silicone rubber
<b>Working Pressure</b>	75% of full scale value
<b>Ambient/Process Temperature</b>	-40°F to 200°F (-40°C to 93°C)
<b>Accuracy</b>	±1.5% of full scale value
<b>Enclosure Rating</b>	IP65
<b>Warning</b>	 <b>WARNING:</b> This product can expose you to chemicals including lead, which is known to the State of California to cause cancer and birth defects or other reproductive harm. For more information go to <a href="http://www.P65Warnings.ca.gov">www.P65Warnings.ca.gov</a> .

### Order Codes

Dial Size	2.5" (63mm)		4" (100mm)			
	1/4" Bottom	1/4" Back (CB)	1/4" Bottom	1/4" Back (CB)	1/2" Bottom	1/2" Back (CB)
30" Hg Vac / -1/0 bar	PFQ801ZRR1R11	PFQ900ZRR1R11	PFQ700ZRR1R11	PFQ730ZRR1R11	PFQ1234ZRR1R11	PFQ1285ZRR1R11
30"/0/15 psi / -1/1 bar	PFQ790ZRR1R11	PFQ890ZRR1R11	PFQ701ZRR1R11	PFQ731ZRR1R11	PFQ1235ZRR1R11	PFQ1286ZRR1R11
30"/0/30 psi / -1/2 bar	PFQ798ZRR1R11	PFQ898ZRR1R11	PFQ702ZRR1R11	PFQ732ZRR1R11	PFQ1236ZRR1R11	PFQ1287ZRR1R11
30"/0/60 psi / -1/4 bar	PFQ799ZRR1R11	PFQ899ZRR1R11	PFQ703ZRR1R11	PFQ733ZRR1R11	PFQ1237ZRR1R11	PFQ1288ZRR1R11
30"/0/100 psi / -1/7 bar	PFQ791ZRR1R11	PFQ891ZRR1R11	PFQ704ZRR1R11	PFQ734ZRR1R11	PFQ1238ZRR1R11	PFQ1289ZRR1R11
30"/0/150 psi / -1/10 bar	PFQ792ZRR1R11	PFQ892ZRR1R11	PFQ705ZRR1R11	PFQ735ZRR1R11	PFQ1239ZRR1R11	PFQ1290ZRR1R11
30"/0/200 psi / -1/14 bar	PFQ794ZRR1R11	PFQ894ZRR1R11	PFQ706ZRR1R11	PFQ736ZRR1R11	PFQ1240ZRR1R11	PFQ1291ZRR1R11
30"/0/300 psi / -1/20 bar	PFQ795ZRR1R11	PFQ895ZRR1R11	PFQ707ZRR1R11	PFQ737ZRR1R11	PFQ1241ZRR1R11	PFQ1292ZRR1R11
0/15 psi / 0/1 bar	PFQ800ZRR1R11	PFQ901ZRR1R11	PFQ708ZRR1R11	PFQ738ZRR1R11	PFQ1242ZRR1R11	PFQ1293ZRR1R11
0/30 psi / 0/2 bar	PFQ802ZRR1R11	PFQ902ZRR1R11	PFQ709ZRR1R11	PFQ739ZRR1R11	PFQ1243ZRR1R11	PFQ1294ZRR1R11
0/60 psi / 0/4 bar	PFQ803ZRR1R11	PFQ903ZRR1R11	PFQ710ZRR1R11	PFQ740ZRR1R11	PFQ1244ZRR1R11	PFQ1295ZRR1R11
0/100 psi / 0/7 bar	PFQ804ZRR1R11	PFQ904ZRR1R11	PFQ711ZRR1R11	PFQ741ZRR1R11	PFQ1245ZRR1R11	PFQ1296ZRR1R11
0/160 psi / 0/11 bar	PFQ805ZRR1R11	PFQ905ZRR1R11	PFQ712ZRR1R11	PFQ742ZRR1R11	PFQ1246ZRR1R11	PFQ1298ZRR1R11
0/200 psi / 0/14 bar	PFQ806ZRR1R11	PFQ906ZRR1R11	PFQ713ZRR1R11	PFQ743ZRR1R11	PFQ1247ZRR1R11	PFQ1524ZRR1R11
0/300 psi / 0/20 bar	PFQ807ZRR1R11	PFQ907ZRR1R11	PFQ714ZRR1R11	PFQ744ZRR1R11	PFQ1248ZRR1R11	PFQ1525ZRR1R11
0/400 psi / 0/28 bar	PFQ817ZRR1R11	PFQ917ZRR1R11	PFQ715ZRR1R11	PFQ745ZRR1R11	PFQ1249ZRR1R11	PFQ1526ZRR1R11
0/600 psi / 0/40 bar	PFQ808ZRR1R11	PFQ908ZRR1R11	PFQ716ZRR1R11	PFQ746ZRR1R11	PFQ1250ZRR1R11	PFQ1527ZRR1R11
0/1,000 psi / 0/70 bar	PFQ809ZRR1R11	PFQ909ZRR1R11	PFQ724ZRR1R11	PFQ192ZRR1R11	PFQ1250ZRR1R11	PFQ1527ZRR1R11
0/1,500 psi / 0/100 bar	PFQ816ZRR1R11	PFQ914ZRR1R11	PFQ725ZRR1R11	PFQ241ZRR1R11	PFQ1250ZRR1R11	PFQ1527ZRR1R11
0/2,000 psi / 0/140 bar	PFQ810ZRR1R11	PFQ910ZRR1R11	PFQ726ZRR1R11	PFQ242ZRR1R11	PFQ1250ZRR1R11	PFQ1527ZRR1R11
0/3,000 psi / 0/200 bar	PFQ811ZRR1R11	PFQ911ZRR1R11	PFQ727ZRR1R11	PFQ243ZRR1R11	PFQ1250ZRR1R11	PFQ1527ZRR1R11
0/5,000 psi / 0/350 bar	PFQ812ZRR1R11	PFQ912ZRR1R11	PFQ728ZRR1R11	PFQ244ZRR1R11	PFQ1250ZRR1R11	PFQ1527ZRR1R11
0/6,000 psi / 0/400 bar	PFQ814ZRR1R11	PFQ915ZRR1R11	PFQ346ZRR1R11	PFQ246ZRR1R11	PFQ1250ZRR1R11	PFQ1527ZRR1R11
0/7,500 psi / 0/517 bar	PFQ818ZRR1R11	PFQ918ZRR1R11	PFQ347ZRR1R11	PFQ247ZRR1R11	PFQ1250ZRR1R11	PFQ1527ZRR1R11
0/10,000 psi / 0/700 bar	PFQ813ZRR1R11	PFQ913ZRR1R11	PFQ729ZRR1R11	PFQ360ZRR1R11	PFQ1250ZRR1R11	PFQ1527ZRR1R11
0/15,000 psi / 0/1,000 bar	-	-	PFQ261ZRR1R11	PFQ361ZRR1R11	PFQ1250ZRR1R11	PFQ1527ZRR1R11

Note: Restrictor screws are not standard on single scale gauges

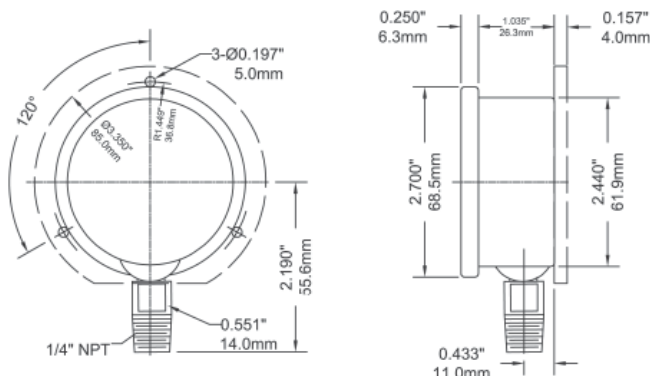
Other ranges, connection sizes and thread types are available upon request. For scale change, refer to How to Order Guide for scale codes. **For options, attach suffix to end of order code: i.e. PFQ807ZRR1R11-25BF for BACK FLANGE.**

#### Option suffix:

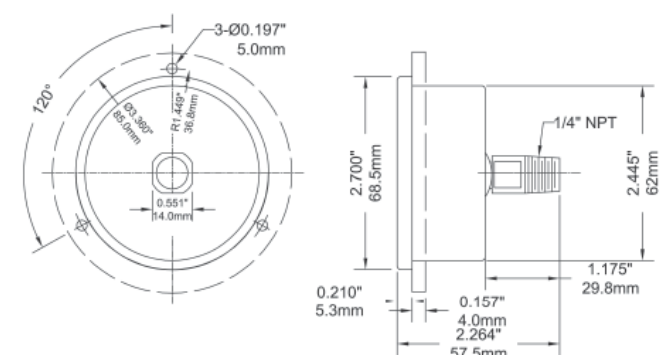
- 25BF = 2.5" (63mm) Back flange
- 25BOOT = 2.5" (63mm) Black rubber boot
- 25FF = 2.5" (63mm) Front flange
- 25SS = 2.5" (63mm) 316 SS case
- 25UC = 2.5" (63mm) U-Clamp
- 4BF = 4" (100mm) Back flange
- 4FF = 4" (100mm) Front flange
- 4SS = 4" (100mm) SS case
- 4UC-P = 4" (100mm) U-Clamp premium
- 6BF = 6" (150mm) Back flange
- 6SS = 6" (150mm) SS case
- EN = EN837-1 compliant
- MAXI25 = 2.5" (63mm) Maximum adjustable pointer
- MAXI4 = 4" (100mm) Maximum adjustable pointer
- RSP4 = 4" (100mm) Red set pointer
- RSP6 = 6" (150mm) Red set pointer
- SG25 = 2.5" (63mm) Safety glass lens
- SG-4 = 4" (100mm) Safety glass lens
- SG-6 = 6" (150mm) Safety glass lens

For WinBRIGHT dial options refer to Custom Dials

### 2.5" Bottom Connection with Back Flange



### 2.5" Back Connection with Front Flange



## Series Number (for custom, non-standard product)

	P	F	Q	-			-		-		-		-	Z	R	-			-		-		
<b>SERIES</b>	PFQ													ZR									
<b>DIAL SIZE</b>																							
2.5" (63mm)				2	5																		
<b>CASE MATERIALS</b>																							
304SS						T																	
316SS						S																	
<b>WETTED PARTS</b>																							
Brass							B																
<b>CONFIGURATION</b>																							
Bottom Connection, Stem Mounting								A															
Bottom Connection, Back Flange, Surface Mounting								B															
Bottom Connection, Front Flange, Surface Mounting								C															
Back Connection, Stem Mounting								D															
Back Connection, Back Flange, Surface Mounting								E															
Back Connection, Wide Front Flange, (Drilled) Panel Mounting								F															
Back Connection, Wide Front Flange, (Undrilled) Panel Mounting								U															
Back Connection, Narrow Front Ring, Panel Mounting (Yoke)								V															
Special								Z															
<b>CONNECTION SIZE</b>																							
1/4"									4														
Special									Z														
<b>THREAD</b>																							
NPT										N													
BSP (G)										B													
BSPT (R)										T													
M14 x 1.5										F													
M20 x 1.5										M													
Special										Z													
<b>PRIMARY SCALE</b>																							
<b>UNITS</b>																							
<b>RANGE</b>																							
<b>SECONDARY SCALE</b>																							
<b>UNITS</b>																							
<b>OPTIONS</b>																							
Black Rubber Boot																					S	Z	
Maximum Adjustable Pointer																					S	J	
Oxygen Cleaning																					S	L	
Safety Glass																					S	A	
Stainless Steel Tag Plate																					S	M	
Test Certificate																					S	O	
No Options																					X	X	

