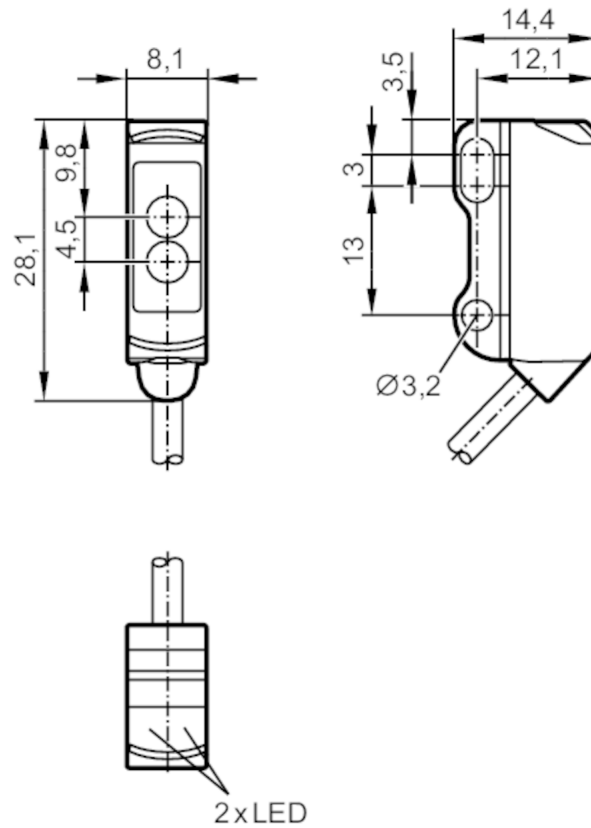


O8T200



Diffuse reflection sensor

O8T-HPKG/IO-Link/2,0M



receiver in upper lens
transmitter in lower lens



Product characteristics

Type of light	red light
Housing	rectangular
Dimensions [mm]	28.1 x 8.1 x 14.4

Application

Function principle	Diffuse reflection sensor
--------------------	---------------------------

Electrical data

Operating voltage [V]	10...30 DC
Current consumption [mA]	20; ((24 V))
Protection class	III
Reverse polarity protection	yes
Type of light	red light
Wave length [nm]	633

O8T200



Diffuse reflection sensor

O8T-HPKG/IO-Link/2,0M

Outputs		
Electrical design		PNP
Output function		light-on mode
Max. voltage drop switching output DC	[V]	2.5
Permanent current rating of switching output DC	[mA]	100
Switching frequency DC	[Hz]	1000
Short-circuit protection		yes
Type of short-circuit protection		pulsed
Detection zone		
Range	[mm]	0...180; (white paper 200 x 200 mm)
Max. light spot diameter	[mm]	18
Light spot dimensions refer to		at maximum range
Interfaces		
Communication interface		IO-Link
Transmission type		COM2 (38.4 kBaud)
IO-Link revision		1.1
SDCI standard		IEC 61131-9
IO-Link device ID		788 d / 00 03 14 h
Profiles		Smart Sensor: Device Identification; Device Diagnosis; Teach Channel; Binary Data Channel
SIO mode		yes
Required master port type		A
Operating conditions		
Ambient temperature	[°C]	-25...60
Protection		IP 65; IP 67
Tests / approvals		
EMC		EN 60947-5-2
MTTF	[years]	1054
Mechanical data		
Weight	[g]	38.2
Housing		rectangular
Dimensions	[mm]	28.1 x 8.1 x 14.4
Materials		housing: ABS; stainless steel (1.4404 / 316L)
Lens material		PMMA
Lens alignment		side lens
Displays / operating elements		
Display	switching status	1 x LED, yellow
	operation	1 x LED, green
Remarks		
Pack quantity		1 pcs.

O8T200



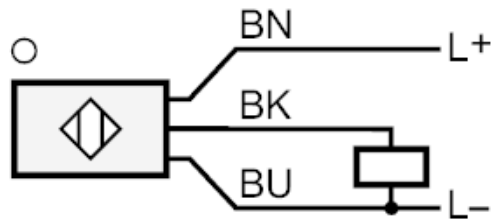
Diffuse reflection sensor

O8T-HPKG/IO-Link/2,0M

Electrical connection

Cable: 2 m, PVC, black, \varnothing 2.9 mm; 3 x 0.08 mm²

Connection

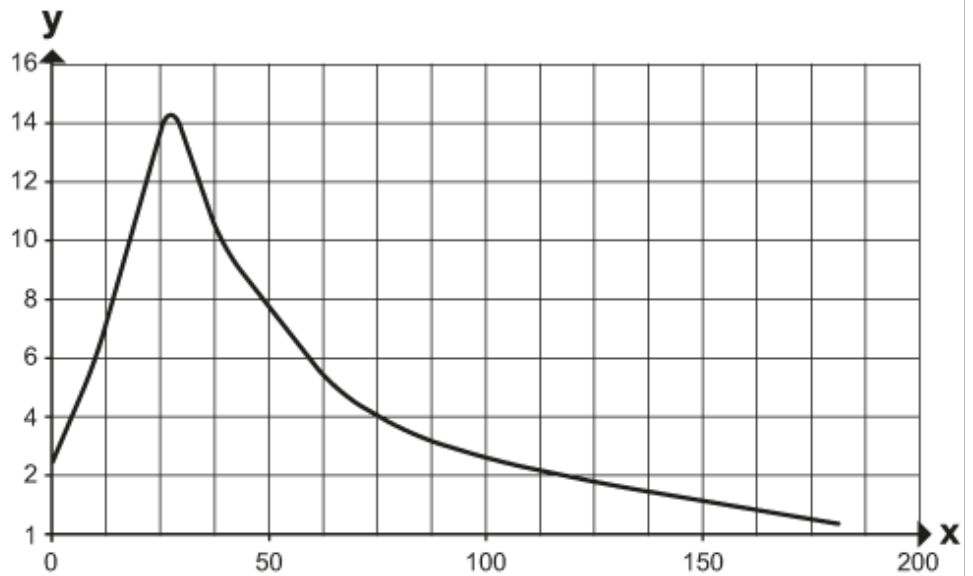


Core colours :

BN = brown
BK = black
BU = blue

Diagrams and graphs

excess gain graph



x: Abstand [mm]

y: Funktionsreservfaktor