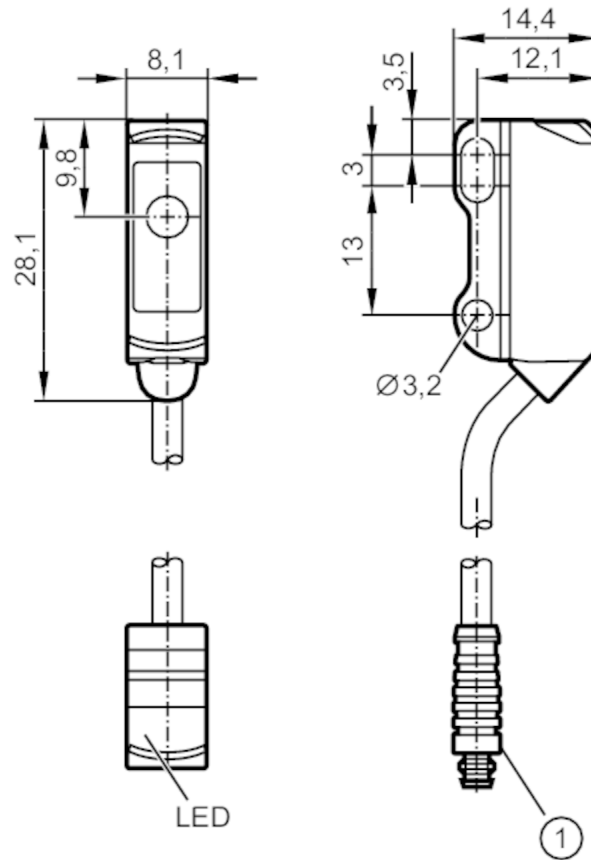




Through-beam sensor transmitter

O8S-OOKG/0,30M/AS/3P



1 illustration (example)



Product characteristics

Type of light	red light
Housing	rectangular
Dimensions [mm]	28.1 x 8.1 x 14.4

Application

Function principle	Through-beam sensor
--------------------	---------------------

Electrical data

Operating voltage [V]	10...30 DC
Current consumption [mA]	12; ((24 V))
Protection class	III
Reverse polarity protection	yes
Type of light	red light
Wave length [nm]	633

Detection zone

Transmitter / receiver	transmitter
Range [m]	< 3
Max. light spot diameter [mm]	200
Light spot dimensions refer to	at maximum range

O8S201



Through-beam sensor transmitter

O8S-OOKG/0,30M/AS/3P

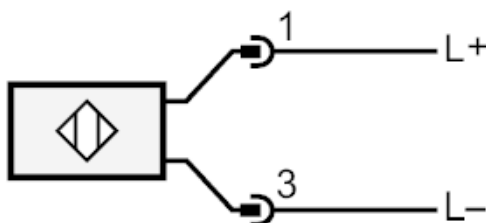
Operating conditions		
Ambient temperature	[°C]	-25...60
Protection		IP 65; IP 67
Tests / approvals		
EMC		EN 60947-5-2
MTTF	[years]	2942
Mechanical data		
Weight	[g]	20.9
Housing		rectangular
Dimensions	[mm]	28.1 x 8.1 x 14.4
Materials		housing: ABS; stainless steel (1.4404 / 316L)
Lens material		PMMA
Lens alignment		side lens
Displays / operating elements		
Display	switching status	1 x LED, yellow
	operation	1 x LED, green
Remarks		
Pack quantity		1 pcs.
Electrical connection		

Cable: 0.3 m, PVC, black, Ø 2.9 mm; 2 x 0.08 mm²

Connector: 1 x M8



Connection



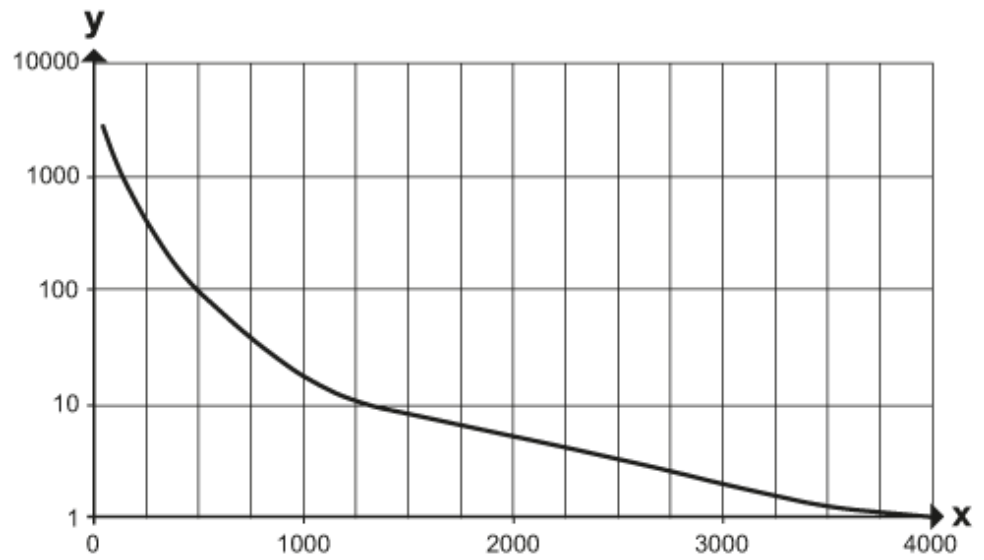


Through-beam sensor transmitter

O8S-OOKG/0,30M/AS/3P

Diagrams and graphs

excess gain graph



x: distance [mm]

y: excess gain factor