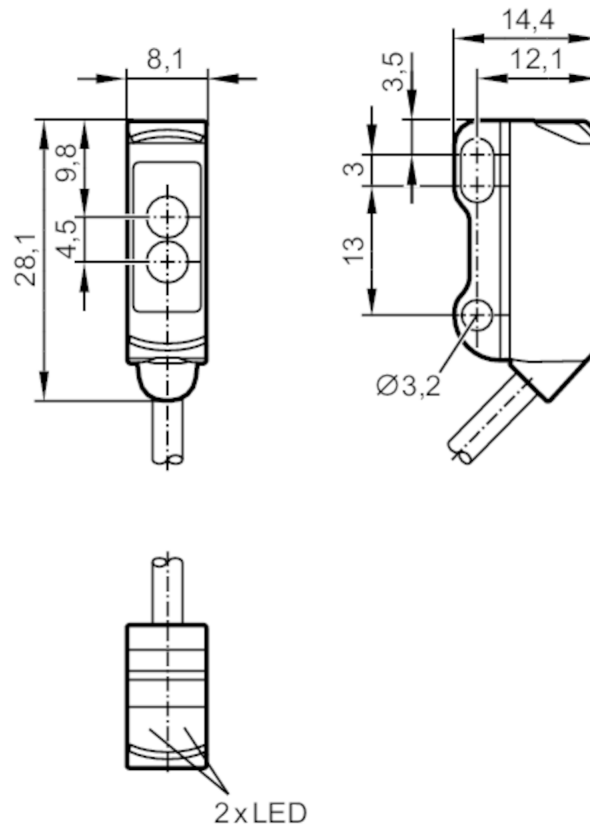


# O8P200



## Retro-reflective sensor

O8P-DPKG/IO-Link/2,0M



receiver in upper lens  
transmitter in lower lens



### Product characteristics

Type of light	red light
Housing	rectangular
Dimensions [mm]	28.1 x 8.1 x 14.4

### Application

Function principle	Retro-reflective sensor
--------------------	-------------------------

### Electrical data

Operating voltage [V]	10...30 DC
Current consumption [mA]	20; ((24 V))
Protection class	III
Reverse polarity protection	yes
Type of light	red light
Wave length [nm]	633

# O8P200



## Retro-reflective sensor

O8P-DPKG/IO-Link/2,0M

Outputs		
Electrical design		PNP
Output function		dark-on mode
Max. voltage drop switching output DC	[V]	2.5
Permanent current rating of switching output DC	[mA]	100
Switching frequency DC	[Hz]	1000
Short-circuit protection		yes
Type of short-circuit protection		pulsed
Detection zone		
Range referred to prismatic reflector	[m]	0.02...1.8; (Prismatic reflector Ø 30 E20004)
Range adjustable		yes
Max. light spot diameter	[mm]	120
Light spot dimensions refer to		at maximum range
Polarisation filter available		yes
Interfaces		
Communication interface		IO-Link
Transmission type		COM2 (38.4 kBaud)
IO-Link revision		1.1
SDCI standard		IEC 61131-9
IO-Link device ID		786 d / 00 03 12 h
Profiles		Smart Sensor: Device Identification; Device Diagnosis; Teach Channel; Binary Data Channel
SIO mode		yes
Required master port type		A
Operating conditions		
Ambient temperature	[°C]	-25...60
Protection		IP 65; IP 67
Tests / approvals		
EMC		EN 60947-5-2
MTTF	[years]	1054
Mechanical data		
Weight	[g]	38.3
Housing		rectangular
Dimensions	[mm]	28.1 x 8.1 x 14.4
Materials		housing: ABS; stainless steel (1.4404 / 316L)
Lens material		PMMA
Lens alignment		side lens
Displays / operating elements		
Display	switching status	1 x LED, yellow
	operation	1 x LED, green

# O8P200



## Retro-reflective sensor

O8P-DPKG/IO-Link/2,0M

### Remarks

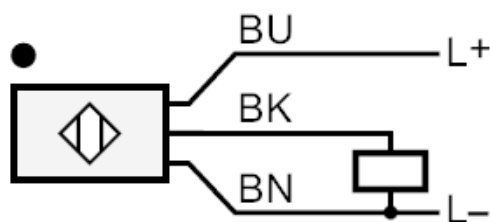
Pack quantity

1 pcs.

### Electrical connection

Cable: 2 m, PVC, black,  $\varnothing$  2.9 mm; 3 x 0.08 mm<sup>2</sup>

### Connection

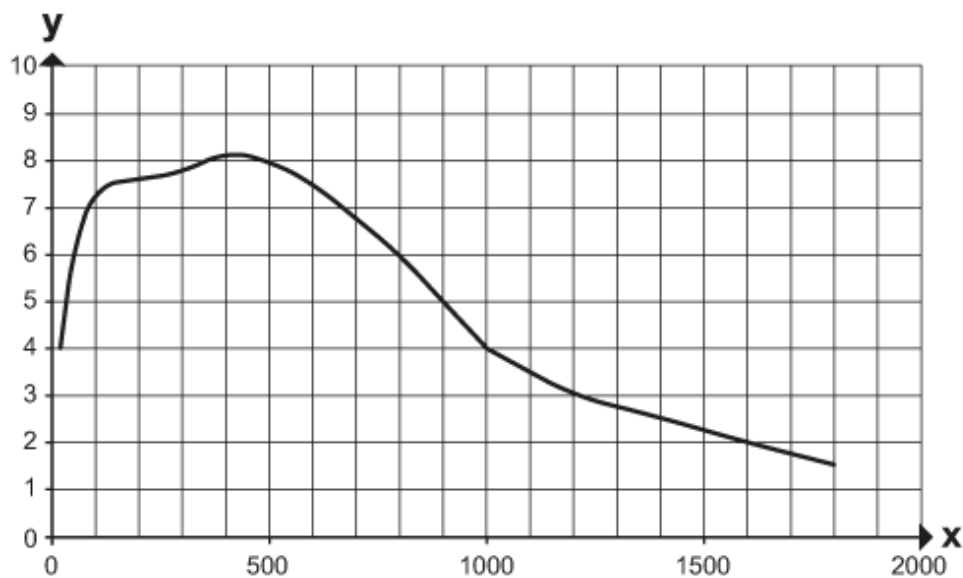


Core colours :

BN = brown  
BK = black  
BU = blue

### Diagrams and graphs

excess gain graph



x: distance [mm]

y: excess gain factor