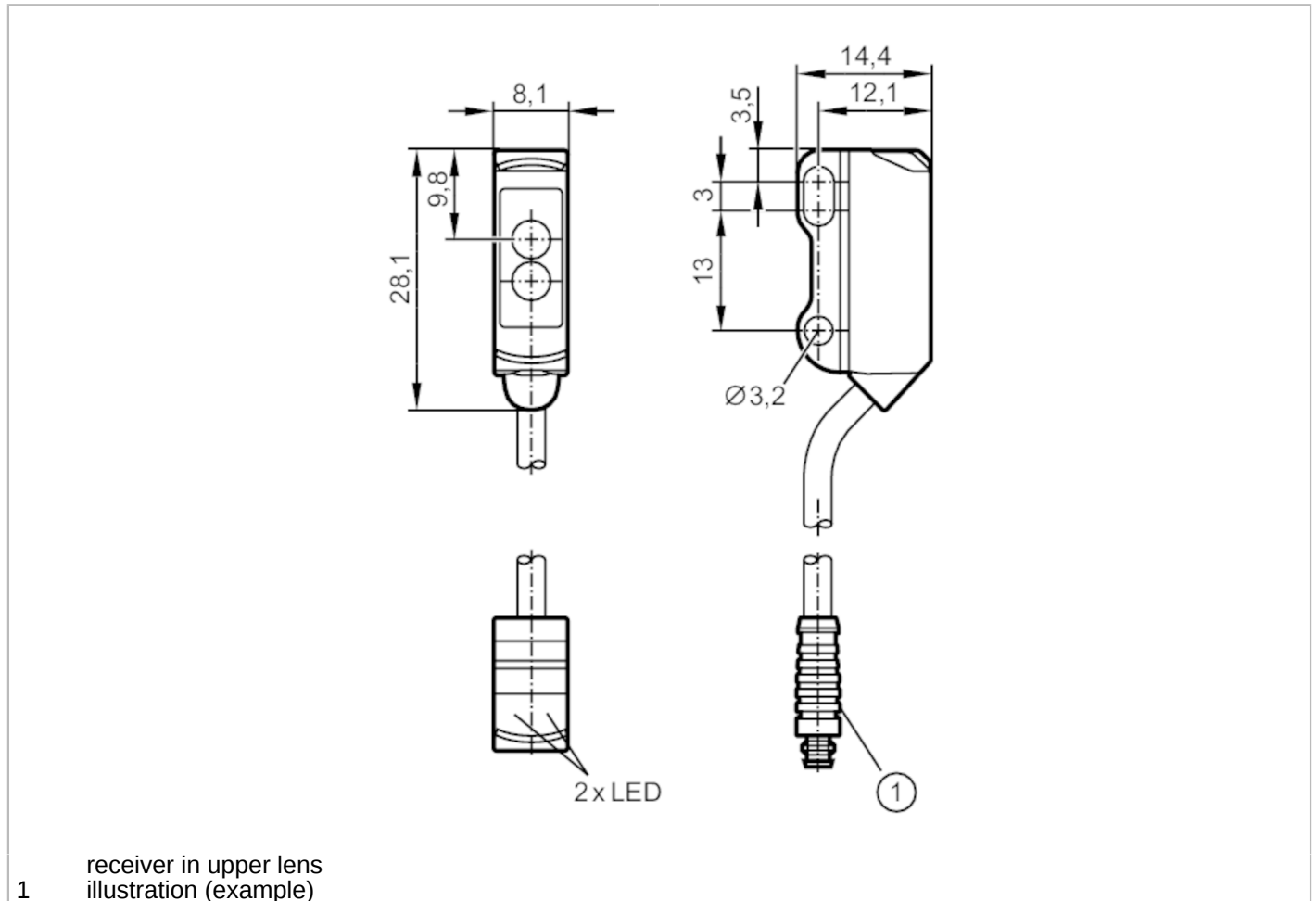


O8E204



Through-beam sensor receiver

O8E-DPKG/IO-Link/0,30M/AS/4P



Product characteristics	
Type of light	red light
Housing	rectangular
Dimensions [mm]	28.1 x 8.1 x 14.4
Application	
Function principle	Through-beam sensor
Electrical data	
Operating voltage [V]	10...30 DC
Current consumption [mA]	15; ((24 V))
Protection class	III
Reverse polarity protection	yes
Type of light	red light
Wave length [nm]	633



Through-beam sensor receiver

O8E-DPKG/IO-Link/0,30M/AS/4P

Outputs		
Electrical design		PNP
Output function		dark-on mode
Max. voltage drop switching output DC	[V]	2.5
Permanent current rating of switching output DC	[mA]	100
Switching frequency DC	[Hz]	1000
Short-circuit protection		yes
Type of short-circuit protection		pulsed
Detection zone		
Transmitter / receiver		receiver
Range	[m]	< 3
Interfaces		
Communication interface		IO-Link
Transmission type		COM2 (38.4 kBaud)
IO-Link revision		1.1
SDCI standard		IEC 61131-9
IO-Link device ID		787 d / 00 03 13 h
Profiles		Smart Sensor: Device Identification; Device Diagnosis; Teach Channel; Binary Data Channel
SIO mode		yes
Required master port type		A
Operating conditions		
Ambient temperature	[°C]	-25...60
Protection		IP 65; IP 67
Tests / approvals		
EMC		EN 60947-5-2
MTTF	[years]	1152
Mechanical data		
Weight	[g]	21.1
Housing		rectangular
Dimensions	[mm]	28.1 x 8.1 x 14.4
Materials		housing: ABS; stainless steel (1.4404 / 316L)
Lens material		PMMA
Lens alignment		side lens
Displays / operating elements		
Display	switching status	1 x LED, yellow
	operation	1 x LED, green
Remarks		
Pack quantity		1 pcs.

O8E204



Through-beam sensor receiver

O8E-DPKG/IO-Link/0,30M/AS/4P

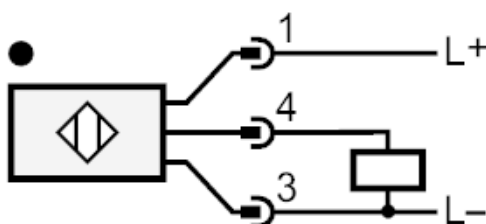
Electrical connection

Cable: 0.3 m, PVC, black, \varnothing 2.9 mm; 3 x 0.08 mm²

Connector: 1 x M8

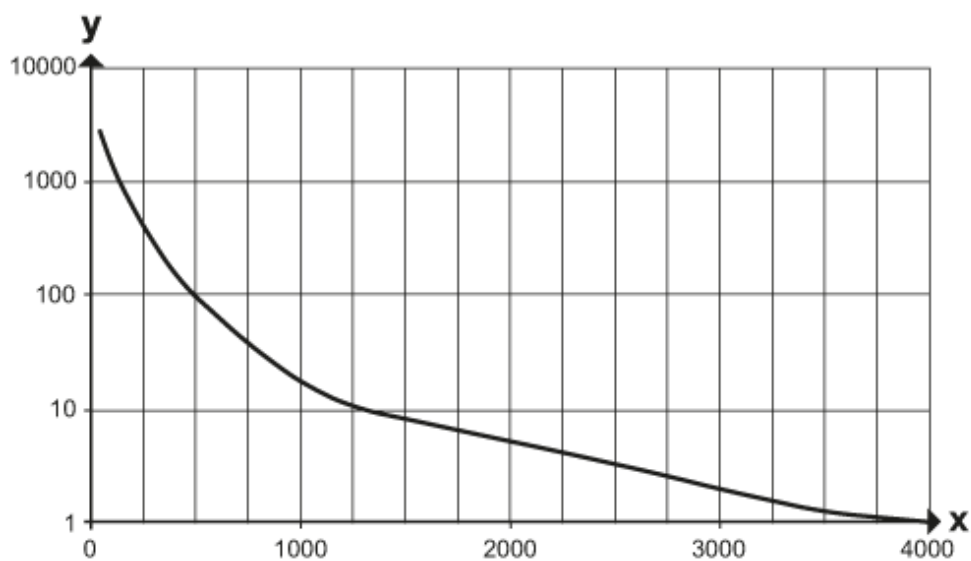


Connection



Diagrams and graphs

excess gain graph



x: distance [mm]

y: excess gain factor