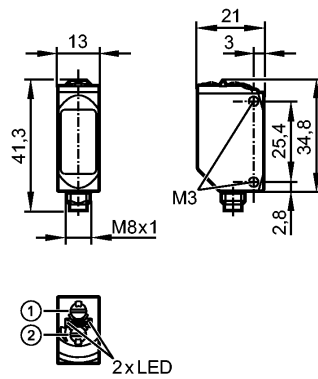


O6T303

O6T-FPKG/AS/4P

Photoelectric sensors



- 1: output function switch
- 2: potentiometer sensitivity

Made in Germany



Product characteristics

Diffuse reflection sensor
Rectangular Metal
Connector
adjustable
Range 5...500mm (Range referred to white paper 200 x 200 mm, 90 % remission)

Electrical data

Electrical design	DC PNP
Operating voltage [V]	10...30 DC
Current consumption [mA]	16 (24 V)
Type of light	Red light 633 nm
Protection class	III
Reverse polarity protection	yes

Outputs

Output function	light-on/dark-on mode selectable
Voltage drop [V]	< 2.5
Current rating [mA]	100
Short-circuit protection	pulsed
Switching frequency [Hz]	1000

Range

Range [mm]	5...500 (Range referred to white paper 200 x 200 mm, 90 % remission)
Light spot diameter [mm]	15 (at maximum range)

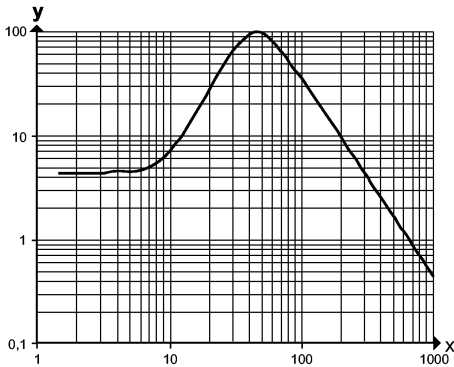
Excess gain graphs

x: distance in [mm]
y: excess gain factor

O6T303

O6T-FPKG/AS/4P

Photoelectric sensors



Measuring / setting range

Setting range [mm] 100...500

Environment

Ambient temperature [°C] -25...80

Protection IP 65 / IP 67 ; IP 68 / IP 69K

Tests / approvals

EMC EN 60947-5-2

MTTF [Years] 910

UL approval number E001

Mechanical data

Housing materials housing: stainless steel 316L / 1.4404; plastics: PPSU

Lens material PMMA

Weight [kg] 0.037

Displays / operating elements

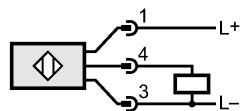
Output status indication LED yellow

Operation LED green

Electrical connection

Connection M8 connector

Wiring



Remarks

Remarks cULus - Class 2 source required

Pack quantity [piece] 1