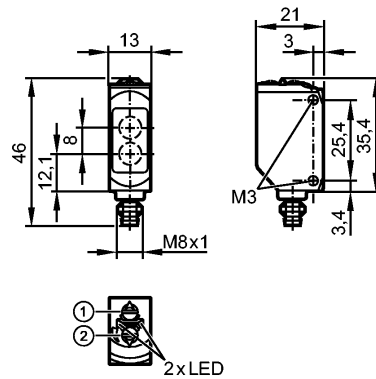


O6T202

O6T-FPKG/AS/3P

Photoelectric sensors



- 1: output function switch
- 2: potentiometer sensitivity

Receiver in upper lens, transmitter in lower lens



Product characteristics

Diffuse reflection sensor
Rectangular, plastics
Connector
adjustable
Range 5...500mm (Range referred to white paper 200 x 200 mm, 90 % remission)

Electrical data

Electrical design	DC PNP
Operating voltage [V]	10...30 DC
Current consumption [mA]	16 (24 V)
Type of light	Red light 633 nm
Protection class	III
Reverse polarity protection	yes

Outputs

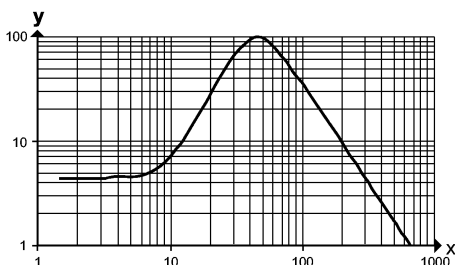
Output function	light-on/dark-on mode selectable
Voltage drop [V]	< 2.5
Current rating [mA]	100
Short-circuit protection	pulsed
Switching frequency [Hz]	1000

Range

Range [mm]	5...500 (Range referred to white paper 200 x 200 mm, 90 % remission)
Light spot diameter [mm]	15 (at maximum range)

Excess gain graphs

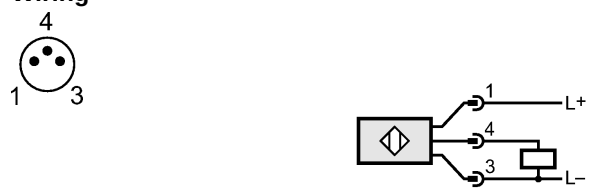
x: distance in [mm]
y: excess gain factor



O6T202

O6T-FPKG/AS/3P

Photoelectric sensors

Measuring / setting range	
Setting range [mm]	100...500
Environment	
Ambient temperature [°C]	-25...60
Protection	IP 65 / IP 67
Tests / approvals	
EMC	EN 60947-5-2
MTTF [Years]	897
UL approval number	E001
Mechanical data	
Housing materials	housing: ABS; PPSU; connector thread: Brass coated; sealing: EPDM
Lens material	PMMA
Weight [kg]	0.019
Tightening torque [Nm]	0.5
Displays / operating elements	
Output status indication LED	yellow
Operation LED	green
Electrical connection	
Connection	M8 connector
Wiring	
	
Remarks	
Remarks	cULus - Class 2 source required
Pack quantity [piece]	1