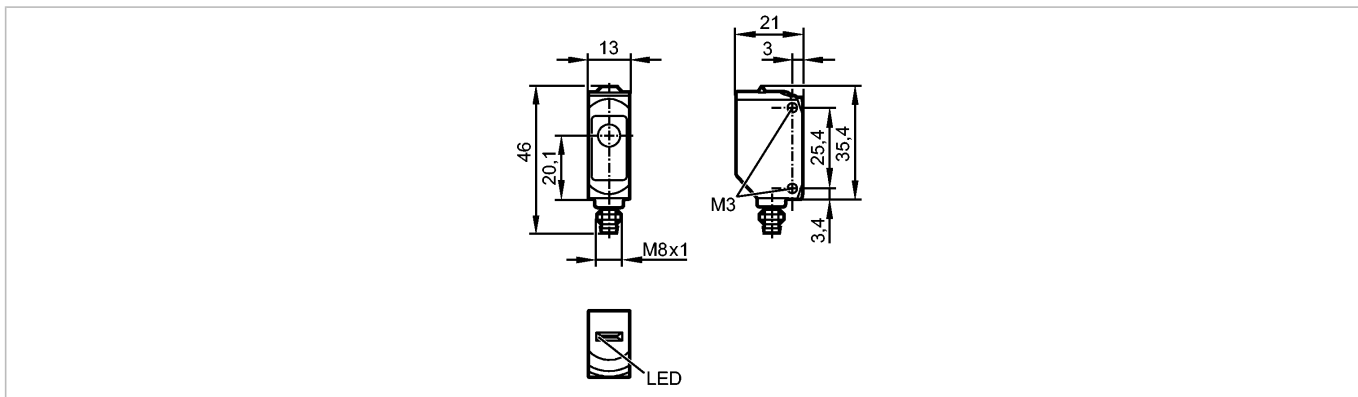


O6S203

O6S-00KG/AS/4P

Photoelectric sensors



Product characteristics

Through-beam sensor
Rectangular, plastics
Connector
Transmitter
Sensing range 10m

Electrical data

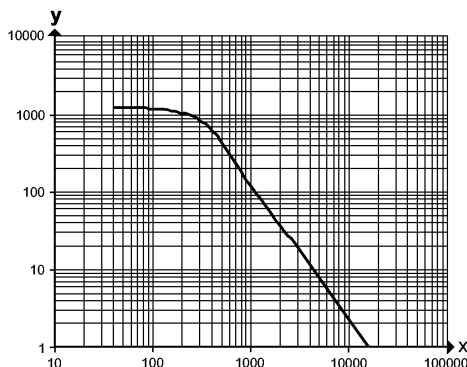
Electrical design	DC
Operating voltage [V]	10...30 DC
Current consumption [mA]	11 (24 V)
Type of light	Red light 633 nm
Protection class	III

Range

Sensing range [m]	10
Light spot diameter [mm]	300 (at maximum range)

Excess gain graphs

x: distance in [mm]
y: excess gain factor



Environment

Ambient temperature [°C]	-25...60
Protection	IP 65 / IP 67

Tests / approvals

EMC	EN 60947-5-2
MTTF [Years]	2600
UL approval number	E002

Mechanical data

O6S203

O6S-00KG/AS/4P

Photoelectric sensors

Housing materials	housing: ABS; PPSU; connector thread: Brass coated; sealing: EPDM
Lens material	PMMA
Weight [kg]	0.019
Tightening torque [Nm]	0.5

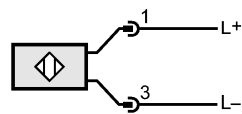
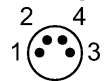
Displays / operating elements

Operation	LED	green
-----------	-----	-------

Electrical connection

Connection	M8 connector
------------	--------------

Wiring



Remarks

Remarks	cULus - Class 2 source required
---------	---------------------------------

Pack quantity [piece]	1
-----------------------	---