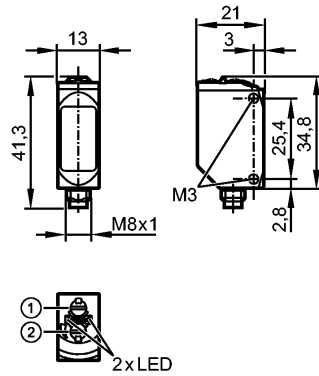


**O6P302**

O6P-FPKG/AS/3P

Photoelectric sensors



1: output function switch  
2: potentiometer sensitivity

Made in Germany



**Product characteristics**

Retro-reflective sensor
Rectangular Metal
Connector
Polarisation filter
adjustable
Sensing range 0.05...5m (Prismatic reflector Ø 80 (E20005))

**Electrical data**

Electrical design	DC PNP
Operating voltage [V]	10...30 DC
Current consumption [mA]	12 (24 V)
Type of light	Red light 633 nm
Protection class	III
Reverse polarity protection	yes

**Outputs**

Output function	light-on/dark-on mode selectable
Voltage drop [V]	< 2.5
Current rating [mA]	100
Short-circuit protection	pulsed
Switching frequency [Hz]	1000

**Range**

Sensing range [m]	0.05...5 (Prismatic reflector Ø 80 (E20005))
Light spot diameter [mm]	150 ( at maximum range )

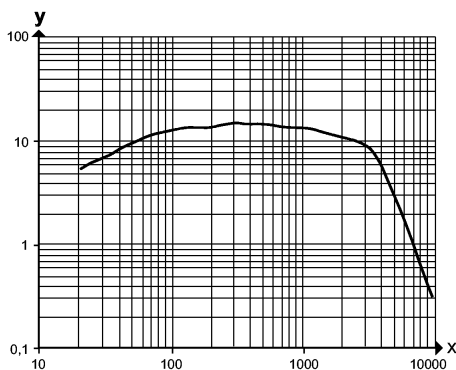
**Excess gain graphs**

x: distance in [mm]  
y: excess gain factor

## O6P302

O6P-FPKG/AS/3P

Photoelectric sensors



### Environment

Ambient temperature	[°C]	-25...80
Protection		IP 65 / IP 67 ; IP 68 / IP 69K

### Tests / approvals

EMC		EN 60947-5-2
MTTF	[Years]	908
UL approval number		E001

### Mechanical data

Housing materials		housing: stainless steel 316L / 1.4404; plastics: PPSU
Lens material		PMMA
Weight	[kg]	0.036

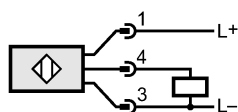
### Displays / operating elements

Output status indication	LED	yellow
Operation	LED	green

### Electrical connection

Connection		M8 connector
------------	--	--------------

### Wiring



### Remarks

Remarks		cULus - Class 2 source required
Pack quantity	[piece]	1