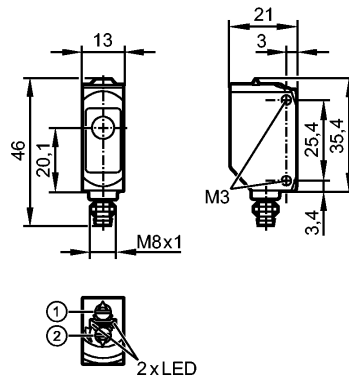


**O6E203**

O6E-FPKG/AS/4P

Photoelectric sensors



1: output function switch  
2: potentiometer sensitivity



**Product characteristics**

|                       |
|-----------------------|
| Through-beam sensor   |
| Rectangular, plastics |
| Connector             |
| adjustable            |
| Receiver              |
| Sensing range 10m     |

**Electrical data**

|                             |                  |
|-----------------------------|------------------|
| Electrical design           | DC PNP           |
| Operating voltage [V]       | 10...30 DC       |
| Current consumption [mA]    | 7 (24 V)         |
| Type of light               | Red light 633 nm |
| Protection class            | III              |
| Reverse polarity protection | yes              |

**Outputs**

|                          |                                  |
|--------------------------|----------------------------------|
| Output function          | light-on/dark-on mode selectable |
| Voltage drop [V]         | < 2.5                            |
| Current rating [mA]      | 100                              |
| Short-circuit protection | pulsed                           |
| Switching frequency [Hz] | 1000                             |

**Range**

|                   |    |
|-------------------|----|
| Sensing range [m] | 10 |
|-------------------|----|

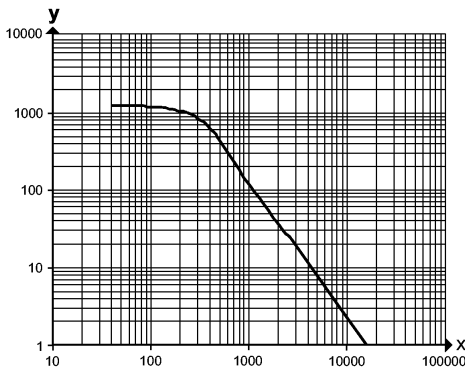
**Excess gain graphs**

x: distance in [mm]  
y: excess gain factor

## O6E203

O6E-FPKG/AS/4P

Photoelectric sensors



### Environment

|                     |      |               |
|---------------------|------|---------------|
| Ambient temperature | [°C] | -25...60      |
| Protection          |      | IP 65 / IP 67 |

### Tests / approvals

|                    |         |              |
|--------------------|---------|--------------|
| EMC                |         | EN 60947-5-2 |
| MTTF               | [Years] | 956          |
| UL approval number |         | E001         |

### Mechanical data

|                        |      |   |
|------------------------|------|---|
| Housing materials      |      | housing: ABS; PPSU; connector thread: Brass coated; sealing: EPDM |
| Lens material          |      | PMMA  |
| Weight                 | [kg] | 0.019   |
| Tightening torque [Nm] |      | 0.5   |

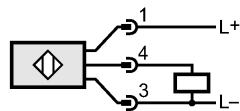
### Displays / operating elements

|                          |     |        |
|--------------------------|-----|--------|
| Output status indication | LED | yellow |
| Operation                | LED | green  |

### Electrical connection

|            |  |              |
|------------|--|--------------|
| Connection |  | M8 connector |
|------------|--|--------------|

### Wiring



### Remarks

|               |         |                                 |
|---------------|---------|---------------------------------|
| Remarks       |         | cULus - Class 2 source required |
| Pack quantity | [piece] | 1                               |