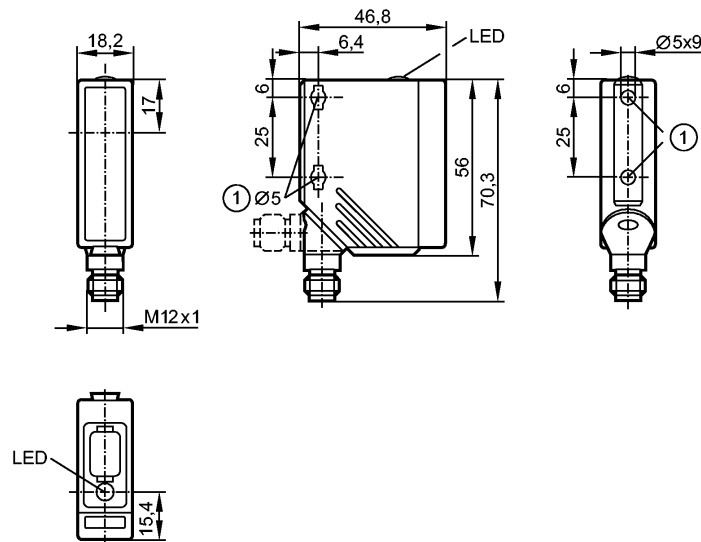


O5S500

O5S-00KG/US100

Photoelectric sensors



1: When a M5 mounting screw is used, the max. tightening torque is 2 Nm.

Made in Germany



Product characteristics

Through-beam sensor	
Rectangular, plastics	
Connector	
Transmitter	
Sensing range 25m	

Electrical data

Electrical design		DC
Operating voltage	[V]	10...36 DC
Current consumption	[mA]	20
Type of light		Red light 624 nm
Protection class		II
Reverse polarity protection		yes

Range

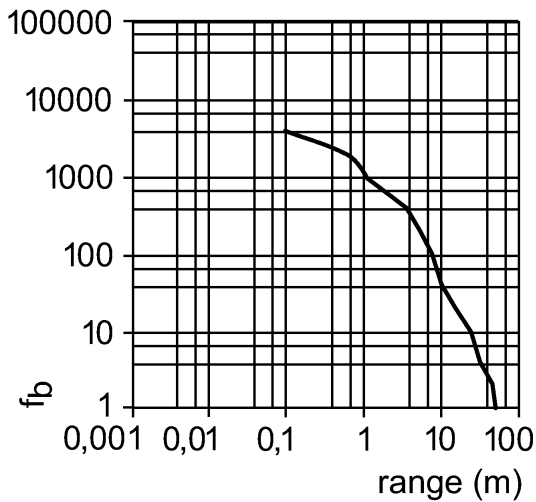
Sensing range	[m]	25
Light spot diameter	[mm]	625 (at maximum range)

Excess gain graphs

O5S500

O5S-00KG/US100

Photoelectric sensors



Environment

Ambient temperature	[°C]	-25...60
Protection		IP 67

Tests / approvals

EMC		EN 60947-5-2
MTTF	[Years]	617

Mechanical data

Housing materials	housing: PA; bezel: high-grade stainless steel; operator interface: TPU	
Lens material	PMMA	
Weight	[kg]	0.065

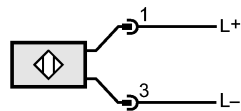
Displays / operating elements

Operation	LED	green
-----------	-----	-------

Electrical connection

Connection		M12 connector
------------	--	---------------

Wiring



Remarks

Remarks	cULus - Class 2 source required	
---------	---------------------------------	--

Pack quantity	[piece]	1
---------------	---------	---