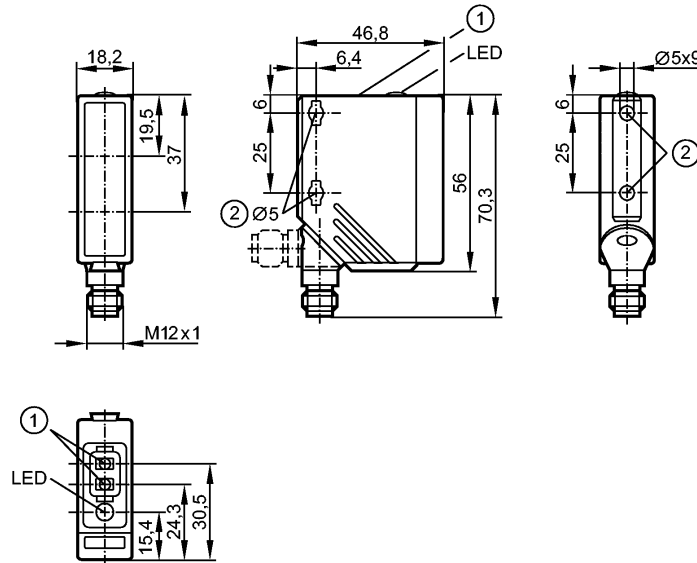


**O5H501**

O5H-FPKG/US100

Photoelectric sensors



- 1: Programming buttons
- 2: When a M5 mounting screw is used, the max. tightening torque is 2 Nm.

Receiver in upper lens, transmitter in lower lens



Made in Germany

**Product characteristics**

Diffuse reflection sensor	
Rectangular, plastics	
Connector	
Background suppression	
Teach function	
Electronic lock	
Range 60...700mm (Range referred to white paper 200 x 200 mm, 90 % remission)	
adjustable	

**Electrical data**

Electrical design		DC PNP
Operating voltage [V]		10...36 DC 1)
Current consumption [mA]		30
Type of light		Red light 624 nm
Protection class		II
Reverse polarity protection		yes

**Outputs**

Output function		light-on / dark-on programmable
Voltage drop [V]		< 2.5
Current rating [mA]		200
Short-circuit protection		pulsed
Overload protection		yes
Switching frequency [Hz]		1000

**Range**

Range [mm]		
Range [mm]		60...700 (Range referred to white paper 200 x 200 mm, 90 % remission)
- Object white (90 % remission)		60...700

## O5H501

O5H-FPKG/US100

Photoelectric sensors

- Object grey (18 % remission)	60...370
- Object black (6 % remission)	60...210
Light spot diameter [mm]	35 ( at maximum range )

### Environment

Ambient temperature [°C]	-25...60
Protection	IP 67

### Tests / approvals

EMC	EN 60947-5-2
MTTF [Years]	360

### Mechanical data

Housing materials	housing: PA; bezel: high-grade stainless steel; operator interface: TPU
Lens material	PMMA
Weight [kg]	0.067

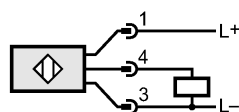
### Displays / operating elements

Output status indication LED	yellow
------------------------------	--------

### Electrical connection

Connection	M12 connector
------------	---------------

### Wiring



### Remarks

Remarks	1) cULus - Class 2 source required
Pack quantity [piece]	1