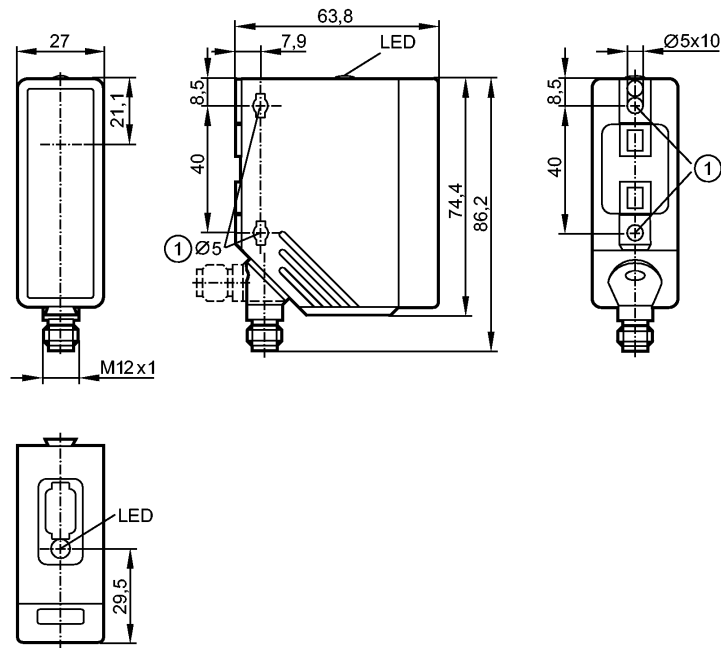


O4S500

O4S-OOKG/US100

Photoelectric sensors



1: When a M5 mounting screw is used, the max. tightening torque is 2 Nm.



Made in Germany

Product characteristics

Through-beam sensor

Rectangular, plastics

Connector

Transmitter

Sensing range 80m

Electrical data

Electrical design DC

Operating voltage [V] 10...36 DC ¹⁾

Current consumption [mA] 20

Type of light Red light 624 nm

Protection class II

Reverse polarity protection yes

Outputs

Overload protection yes

Range

Sensing range [m] 80

Light spot diameter [mm] 2400 (at maximum range)

Excess gain graphs

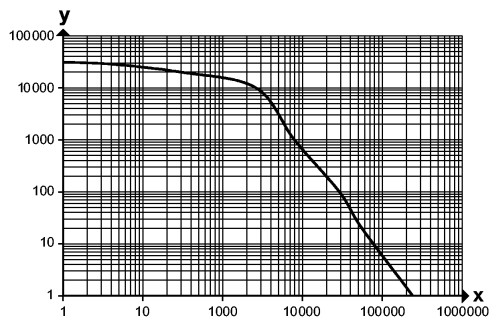
x: distance in [mm]

y: excess gain factor

O4S500

O4S-00KG/US100

Photoelectric sensors



Environment

Ambient temperature	[°C]	-25...60
Protection		IP 67

Tests / approvals

EMC		EN 60947-5-2
MTTF	[Years]	616

Mechanical data

Housing materials		housing: PA; bezel: high-grade stainless steel; operator interface: TPE
Lens material		PMMA
Weight	[kg]	0.123

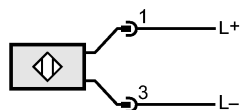
Displays / operating elements

Operation	LED	green
-----------	-----	-------

Electrical connection

Connection		M12 connector
------------	--	---------------

Wiring



Remarks

Remarks		1) cULus - Class 2 source required
Pack quantity	[piece]	1