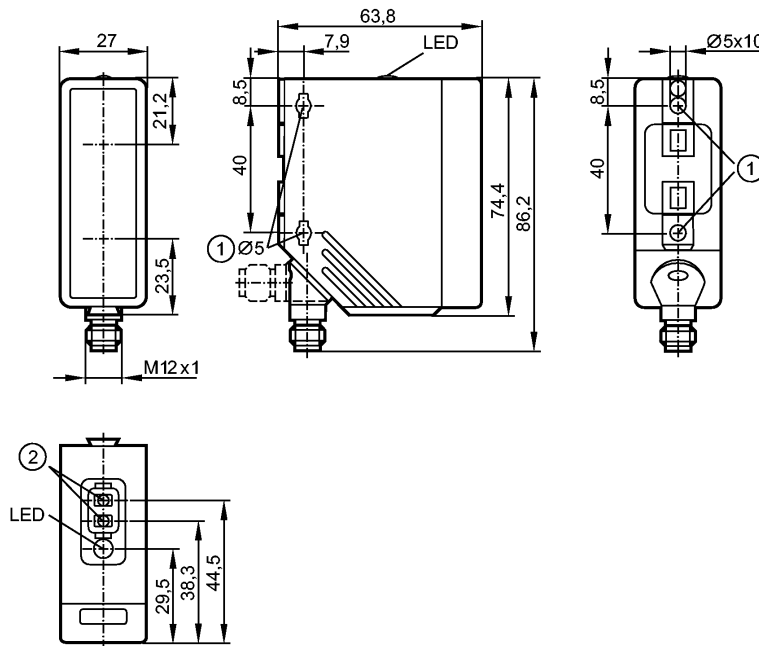


O4P500

O4P-FPKG/US100

Photoelectric sensors



- 1: When a M5 mounting screw is used, the max. tightening torque is 2 Nm.
- 2: Programming buttons

Receiver in upper lens, transmitter in lower lens

Made in Germany



Product characteristics

Retro-reflective sensor	
Rectangular, plastics	
Connector	
Polarisation filter	
Teach function	
Electronic lock	
Sensing range 0.3...22m (Prismatic reflector Ø 80 (E20005))	
adjustable	

Electrical data

Electrical design		DC PNP
Operating voltage	[V]	10...36 DC ¹⁾
Current consumption	[mA]	20
Type of light		Red light 624 nm
Protection class		II
Reverse polarity protection		yes

Outputs

Output function		light-on / dark-on programmable via pushbutton
Voltage drop	[V]	< 2.5
Current rating	[mA]	200
Short-circuit protection		pulsed
Overload protection		yes
Switching frequency	[Hz]	2000

Range

Sensing range	[m]	0.3...22 (Prismatic reflector Ø 80 (E20005))
---------------	-----	--

O4P500

O4P-FPKG/US100

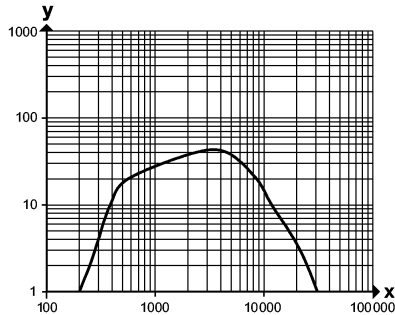
Photoelectric sensors

Light spot diameter [mm] 660 (at maximum range)

Excess gain graphs

x: distance in [mm]

y: excess gain factor



Environment

Ambient temperature [°C] -25...60

Protection IP 67

Tests / approvals

EMC EN 60947-5-2

MTTF [Years] 434

Mechanical data

Housing materials housing: PA; bezel: high-grade stainless steel; operator interface: TPE

Lens material PMMA

Weight [kg] 0.126

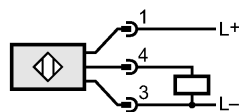
Displays / operating elements

Output status indication LED yellow

Electrical connection

Connection M12 connector

Wiring



Remarks

Remarks 1) cULus - Class 2 source required

Pack quantity [piece] 1