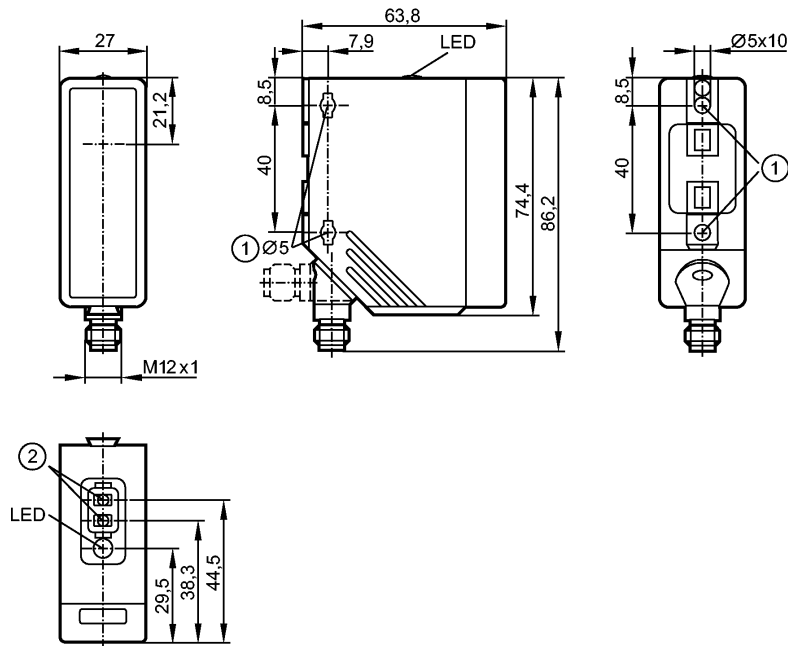


O4E500

O4E-FPKG/US100

Photoelectric sensors



- 1: When a M5 mounting screw is used, the max. tightening torque is 2 Nm.
- 2: Programming buttons



Made in Germany

Product characteristics

Through-beam sensor
Rectangular, plastics
Connector
Teach function
Electronic lock
Receiver
Sensing range 80m
adjustable

Electrical data

Electrical design	DC PNP
Operating voltage [V]	10...36 DC ¹⁾
Current consumption [mA]	12
Type of light	Red light 624 nm
Protection class	II
Reverse polarity protection	yes

Outputs

Output function	light-on / dark-on programmable via pushbutton
Voltage drop [V]	< 2.5
Current rating [mA]	200
Short-circuit protection	pulsed
Overload protection	yes
Switching frequency [Hz]	1000

Range

Sensing range [m]	80
-------------------	----

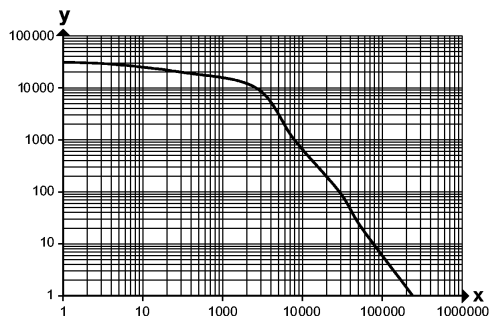
Excess gain graphs

O4E500

O4E-FPKG/US100

Photoelectric sensors

x: distance in [mm]
y: excess gain factor



Environment

Ambient temperature [°C] -25...60

Protection IP 67

Tests / approvals

EMC EN 60947-5-2

MTTF [Years] 785

Mechanical data

Housing materials housing: PA; bezel: high-grade stainless steel; operator interface: TPE

Lens material PMMA

Weight [kg] 0.125

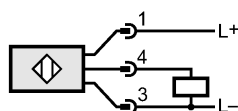
Displays / operating elements

Output status indication LED yellow

Electrical connection

Connection M12 connector

Wiring



Remarks

Remarks 1) cULus - Class 2 source required

Pack quantity [piece] 1