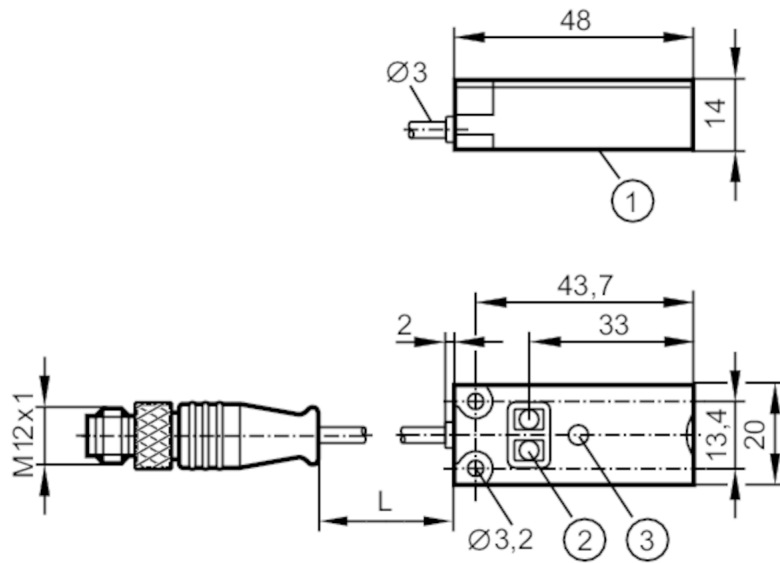


# KQ6005



## Capacitive sensor

KQ-3120NFPKG/2T/0,1M/US



- 1 Sensing face
- 2 programming buttons
- 3 LED



Application	
Installation	detection through non-metallic container wall or on bypass pipes
Media	dry bulk material; liquids
Electrical data	
Operating voltage [V]	10...30 DC
Current consumption [mA]	< 17
Protection class	III
Reverse polarity protection	yes
Outputs	
Electrical design	PNP
Output function	normally open / normally closed; (selectable)
Max. voltage drop switching output DC [V]	2.5
Permanent current rating of switching output DC [mA]	100
Switching frequency DC [Hz]	10
Short-circuit protection	yes
Type of short-circuit protection	pulsed
Overload protection	yes
Detection zone	
Sensing range [mm]	12
Real sensing range Sr [mm]	12 ± 10 %

# KQ6005



## Capacitive sensor

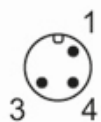
KQ-3120NFPKG/2T/0,1M/US

Accuracy / deviations		
Hysteresis	[% of Sr]	1...15
Switch point drift	[% of Sr]	-20...20
Interfaces		
Communication interface		IO-Link
Transmission type		COM1 (4,8 kBaud)
IO-Link revision		1.1
SDCI standard		IEC 61131-9 CDV
IO-Link device ID		371d / 000173h
SIO mode		yes
Min. process cycle time	[ms]	100.8
Operating conditions		
Ambient temperature	[°C]	-25...80
Protection		IP 65; IP 67
Tests / approvals		
EMC	EN 61000-4-2 ESD	8 kV AD
	EN 61000-4-3 HF radiated	10 V/m
	EN 61000-4-4 Burst	2 kV
	EN 61000-4-6 HF conducted	3 V
	EN 55011	class B
Shock resistance	EN 60068-2-27	30 g 6 shocks / 11 ms half-sine (x, y, z)
Vibration resistance	EN 60068-2-6	(10...55 Hz) / 1 mm amplitude, oscillation period 5 min., 30 min. per axis at resonance or 55 Hz
MTTF	[years]	725
Mechanical data		
Weight	[g]	34.5
Housing		rectangular
Mounting		non-flush mountable
Dimensions	[mm]	20 x 14 x 48
Materials		housing: PBT glass fibre reinforced; pushbuttons: TPE-U; cover: PC glass fibre reinforced
Displays / operating elements		
Display	switching status	1 x LED, yellow
Teach function		yes
Electronic lock		yes
Remarks		
Pack quantity		1 pcs.
Electrical connection - plug		
Cable: 0.1 m, PVC		
Connector: 1 x M12		

# KQ6005

## Capacitive sensor

KQ-3120NFPKG/2T/0,1M/US



### Connection



4: OUT / IO-Link