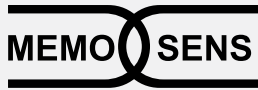


# Sensors for Conductivity Measurement



## SE 630 Memosens Conductivity Sensor

2-electrode sensor for measuring low to medium conductivity values, flexible application; high chemical, thermal and mechanical resistance, digital, with Memosens technology

Corrosion-proof materials, graphite electrodes, and PES body. High accuracy and integrated temperature detector for correct temperature compensation and concentration measurement. Large pressure and temperature range.

### Applications

Water, moderately polluted wastewaters, process solutions with medium conductivities; also corrosive media

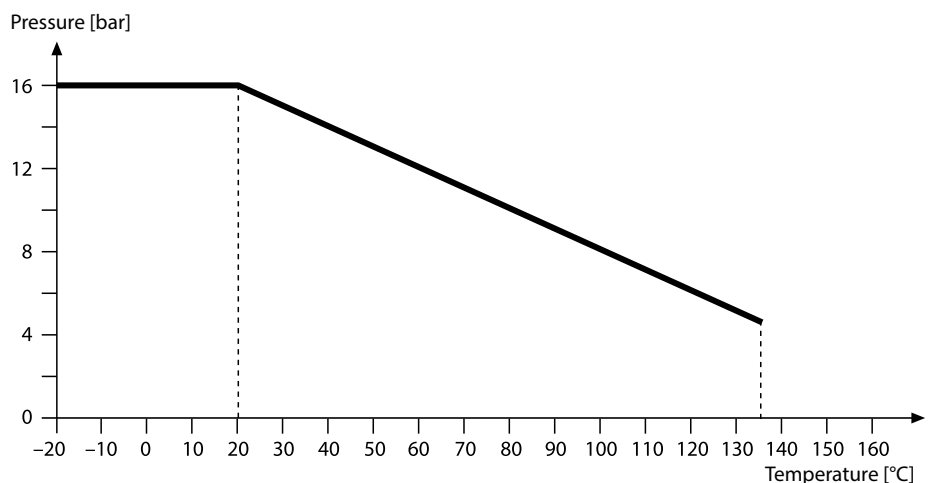
### Facts

- Perfect galvanic isolation thanks to Memosens technology
- Digital data transfer
- Integrated sensor diagnostics
- High level of process safety due to durable materials
- Integrated temperature detector
- Robust design
- Large pressure and temperature range
- Easy to clean
- High-precision measurement of conductivities up to 20 mS/cm
- High chemical and thermal resistance

### Specifications

Cell constant:	1/cm
Measuring range:	10 $\mu$ S/cm ... 20 mS/cm
Material:	Body: PES
Electrodes:	Special graphite
Temp detector protection:	Titanium
Temperature detector:	NTC 30 kohms
Temperature:	-4... +275 °F (-20 ... +135 °C)
Pressure:	Max. 232 psi (16 bar) 68 °F (20 °C), 36 psi (2.5 bar) 275 °F (135 °C)
Process connection:	G 1"
Sensor cap:	Memosens

### Pressure/Temperature Diagram



**Product Range**

SE 630 conductivity sensor G 1"

Order No.

**SE 630-MS**

**Accessories**

Memosens cable	3 m
	5 m
	10 m
	20 m <sup>*)</sup>
Memosens cable, Ex	3 m
	5 m
	10 m
	20 m <sup>*)</sup>

Order No.

**CA/MS-003NAA**  
**CA/MS-005NAA**  
**CA/MS-010NAA**  
**CA/MS-020NAA**

**CA/MS-003XAA**  
**CA/MS-005XAA**  
**CA/MS-010XAA**  
**CA/MS-020XAA**

6-hole flange

**ZU 0278**

Conductivity standard	KCl	0.1 mol/l	12.88 mS/cm	± 1.5 %	250 ml
	KCl	0.01 mol/l	1413 µS/cm	± 2 %	250 ml

**ZU 0348**

**ZU 0349**

Calibration Certificate

**ZU 0320**

**MemoSuite**

Management software for Memosens sensors	Basic version (calibration)
	Advanced version (calibration, diagnostics, documentation)

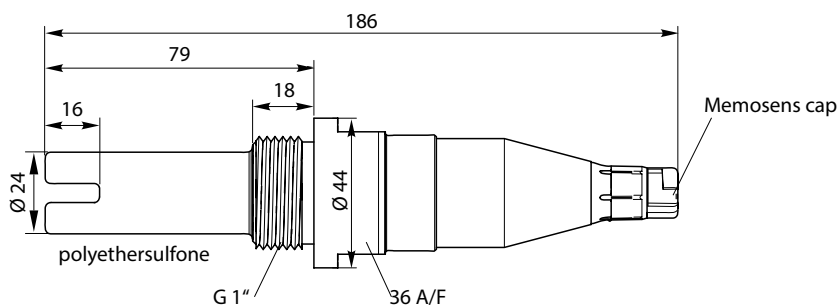
Order No.

**SW-MS1400-B**

**SW-MS1400-A**

<sup>\*)</sup> Greater lengths on request

**Dimension Drawing**



All dimensions in mm