

# Sensors for Conductivity Measurement



## SE 603 Conductivity Sensor

**4-electrode sensor with large measuring range providing maximum corrosion resistance**

For special chemistry applications, universal measuring range from pure water to 600 mS/cm. With fixed cable and integrated temperature detector. Process-wetted materials: PTFE and platinum. Ultracompact design.

### Applications

Measurement of pure water up to high conductivities. Highly corrosive chemical processes, bleaching liquors, oxidizing as well as heavily polluted (e.g. fibrous) materials, heat exchanger leakage monitoring.

### Facts

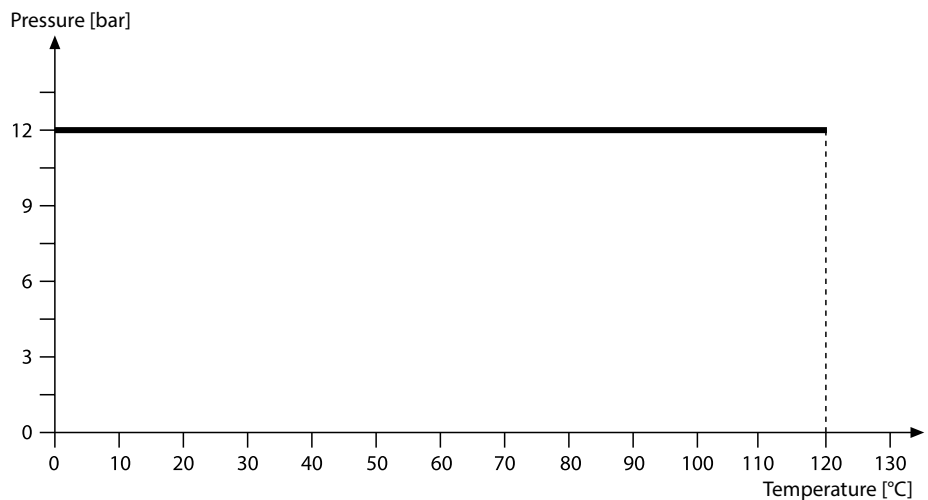
- High level of chemical resistance due to corrosion-proof materials
- Large measuring range due to 4-electrode technology
- Measurement at high temperatures and pressures
- Slim, ultracompact design

### Specifications

Cell constant*):	0.14 cm ... 0.38 cm (exact value printed on rating plate)
Measuring range:	Approx. 0.5 $\mu$ S/cm ... 600 mS/cm
Material:	Body: PTFE Electrodes: Platinum
Temperature detector:	Pt 1000 (IEC Class A)
Temperature:	Max. 248 °F (120 °C)
Pressure:	Max. 174 psi (12 bar)
Process adaptation:	Flange adapter (see accessories)
Cable:	Fixed cable, 5 m

\*) Observe instructions for use (field conditions)

### Pressure/Temperature Diagram



**Product Range**

SE 603 conductivity sensor

Order No.

**SE 603**

**Accessories**

Sealing washer

Order No.

**ZU 0218**

Flange

**ZU 0219**

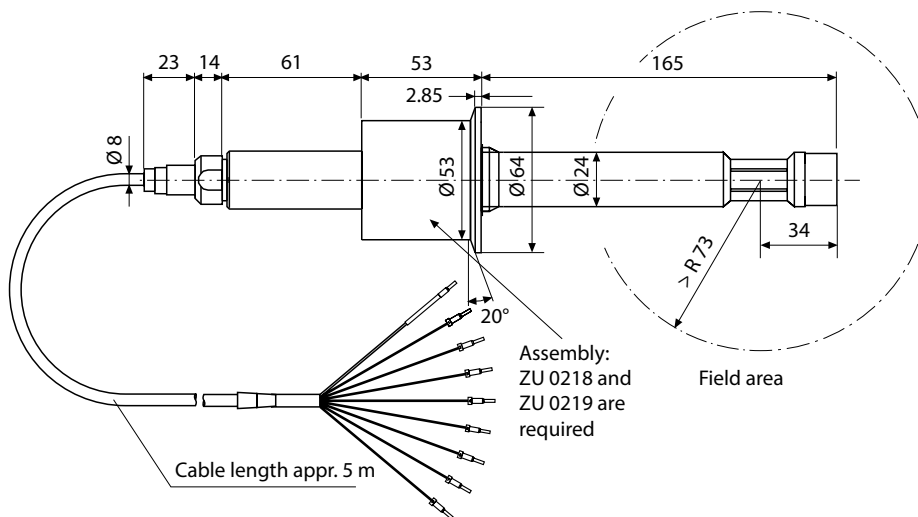
Conductivity standard      KCl    0.1 mol/l    12.88 mS/cm    ± 1.5 %    250 ml

**ZU 0348**

Calibration Certificate

**ZU 0320**

**Dimensional Drawing**



All dimensions in mm

# Sensors for Conductivity Measurement

## SE 603 Conductivity Sensor

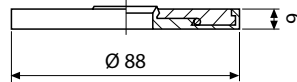
### Accessories / Specifications

ZU 0218 sealing washer



Material: PTFE/AISI 316 L  
Pressure: 10 bar  
Temperature: 248 °F (120 °C)  
For installation with ZU 0219.

Dimensional drawing:

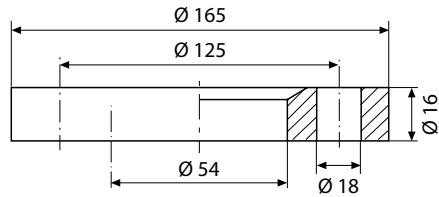


ZU 0219 flange



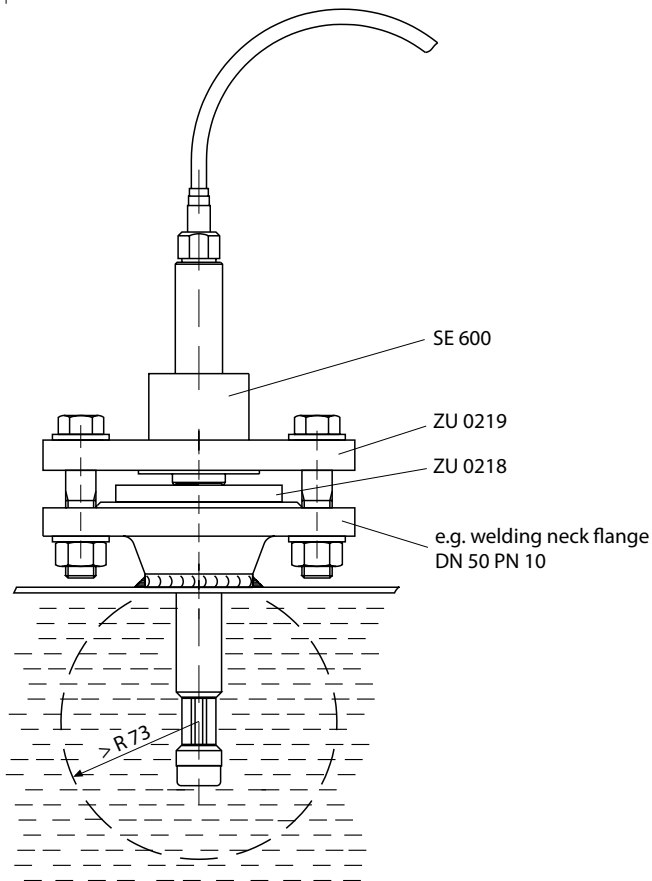
Material: AISI 316 L  
Process connection: DN 50, PN 10; Ø 165 mm  
Pressure: 10 bar  
Temperature: 1248 °F (120 °C)  
For installation with ZU 0218.

Dimensional drawing:



All dimensions in mm

### Typical Assembly



All dimensions in mm