

# Sensors for Conductivity Measurement



## SE 600 Conductivity Sensor

**4-electrode sensor for high-pressure and high-temperature applications;  
large measuring range from pure water up to high conductivities**

For special chemistry applications up to 210 °C and 25 bar. Universal measuring range from pure water to 600 mS/cm. With fixed cable and integrated temperature detector.

### Facts

- Large measuring range due to 4-electrode technology
- Measurement at high temperatures and pressures
- Slim, ultracompact design  
1 inch (25 mm) diameter

### Applications

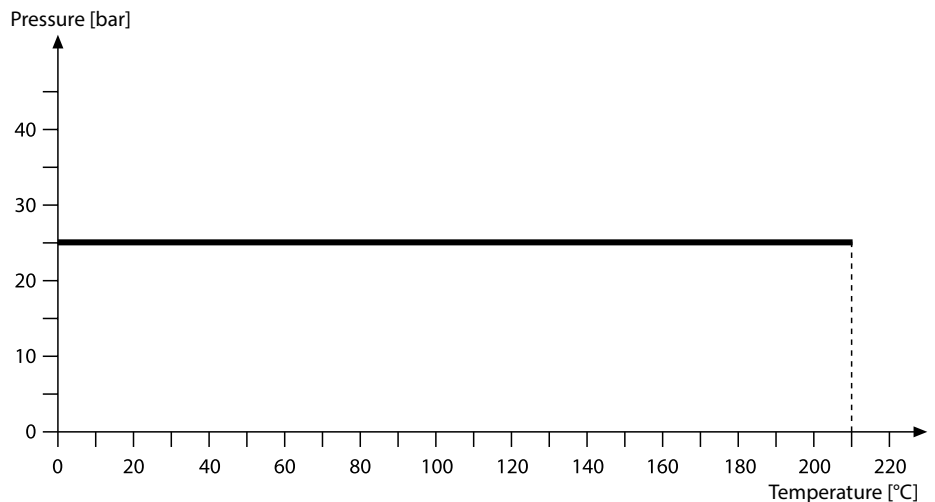
Special chemical processes, heavily polluted and fibrous media, pulp production

### Specifications

Cell constant <sup>*)</sup> :	0.14 cm ... 0.38 cm (exact value printed on rating plate)
Measuring range:	Approx. 0.5 $\mu$ S/cm ... 600 mS/cm
Material:	Body: PTFE / stainless steel AISI 316 L Electrodes: stainless steel AISI 316 L
Temperature detector:	Pt 1000 (IEC Class A)
Temperature:	Max. 410 °F (210 °C)
Pressure:	Max. 363 psi (25 bar)
Process connection:	1" weld nipple (see accessories)
Cable:	Fixed cable, 5 m

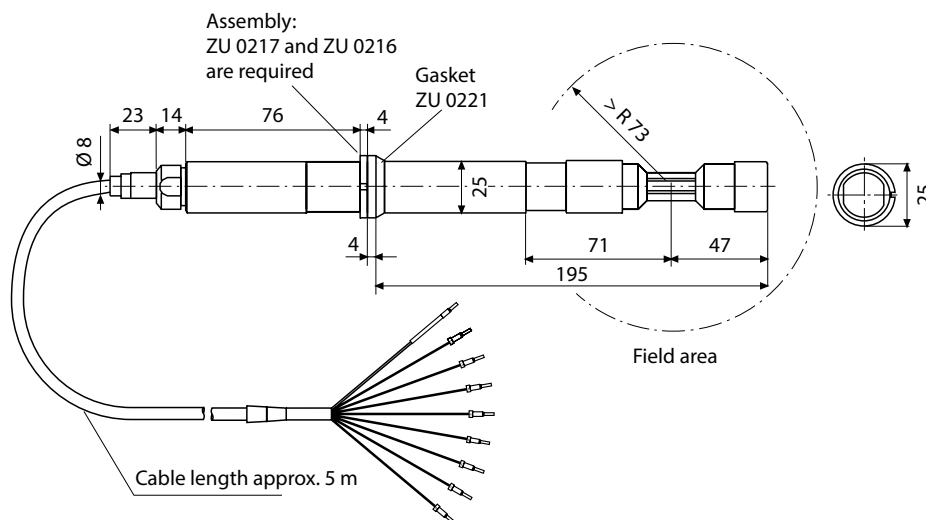
<sup>\*)</sup> Observe instructions for use (field conditions)

### Pressure/Temperature Diagram



Product Range		Order No.
SE 600 conductivity sensor	1" NPT or G 1"	<b>SE 600</b>
Accessories		Order No.
Screw for ZU 0217		<b>ZU 0216</b>
Weld nipple for ZU 0216		<b>ZU 0217</b>
Gasket (spare part)		<b>ZU 0221</b>
Coupling nut		<b>ZU 0222</b>
Conductivity standard	KCl 0.1 mol/l 12.88 mS/cm ± 1.5 % 250 ml	<b>ZU 0348</b>
Calibration Certificate		<b>ZU 0320</b>

**Dimensional Drawing**



# Sensors for Conductivity Measurement

## SE 600 Conductivity Sensor

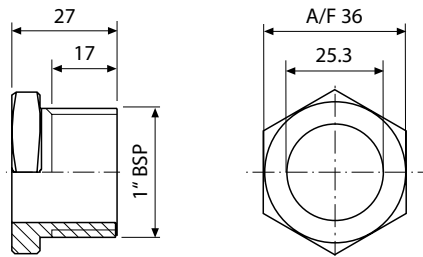
### Accessories / Specifications

ZU 0216 screw



Material: 316 L  
 Process connection: 1" BSP for ZU 0217  
 Temperature: Max. 210 °C  
 Pressure: Max. 40 bar

Dimensional drawing:

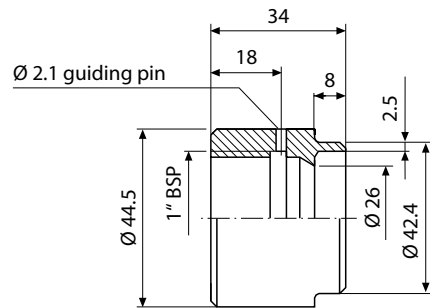


ZU 0217 weld nipple



Material: AISI 316 L  
 Process connection: Weld nipple  
 Temperature: Max. 210 °C  
 Pressure: Max. 40 bar

Dimensional drawing:

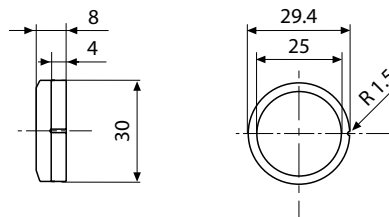


ZU 0221 gasket (spare part)



Material: PTFE

Dimensional drawing:

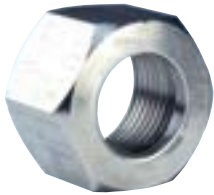


All dimensions in mm

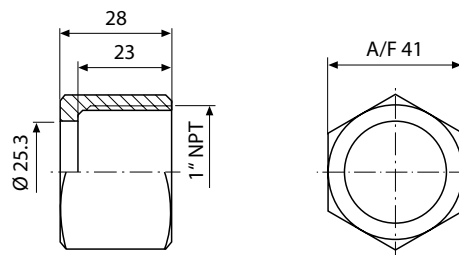
**Accessories / Specifications (continued)**

Coupling nut for mounting  
on threaded coupling,  
ZU 0222

Material: AISI 316 L  
Dimensions: 1" NPT  
Temperature: Max. 210 °C  
Pressure: Max. 40 bar



Dimensional  
drawing:



**Typical Assemblies**

