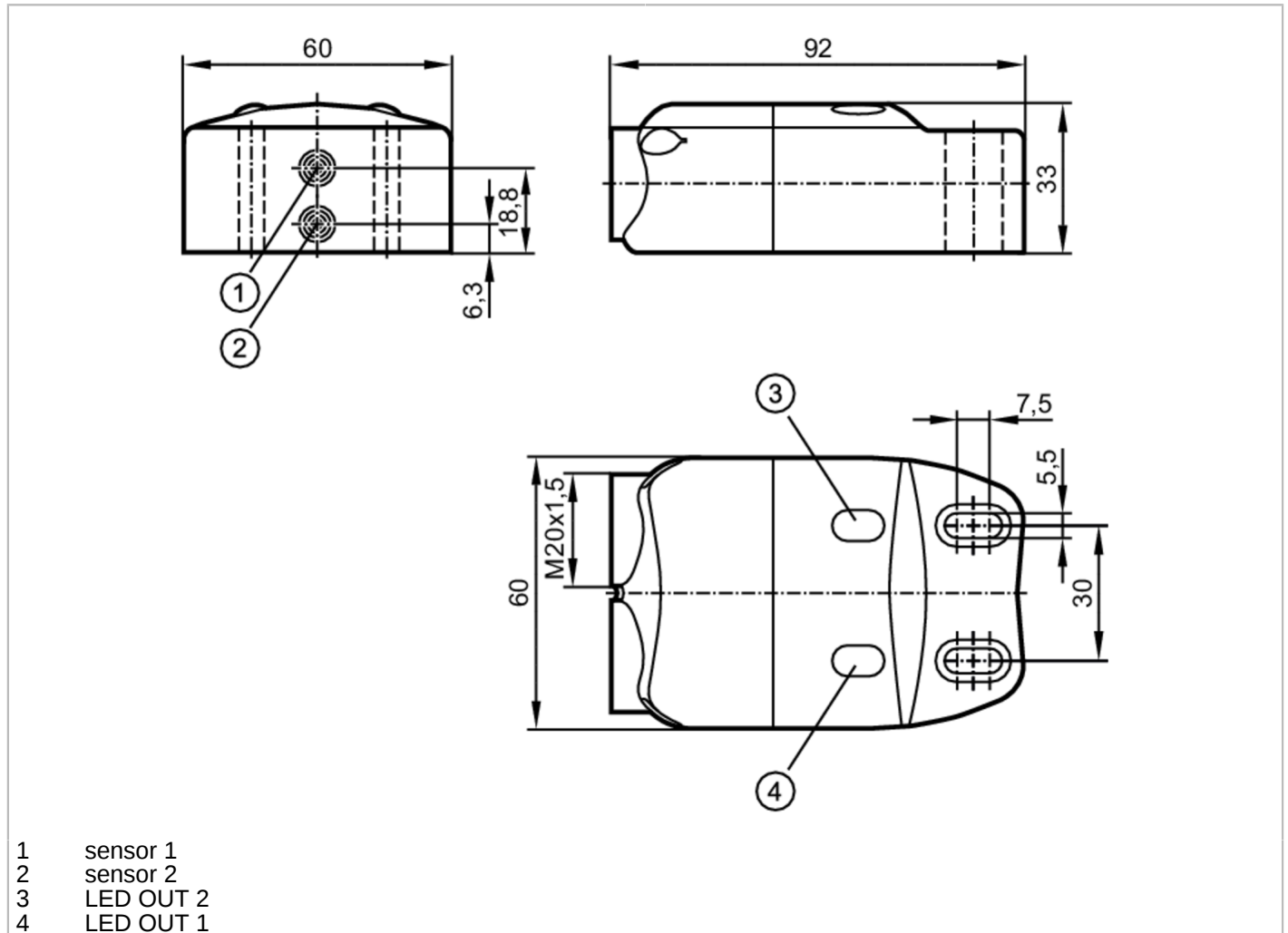


# IN5409



## Inductive sensor

INE3004DBPKG



### Electrical data

Operating voltage	[V]	10...30 DC; (to PELV)
Current consumption	[mA]	15; (a maximum of one output is switched)
Protection class		III
Reverse polarity protection		yes

### Outputs

Electrical design		PNP
Output function		2 x normally open
Max. voltage drop switching output DC	[V]	2.5
Permanent current rating of switching output DC	[mA]	100
Switching frequency DC	[Hz]	500
Short-circuit protection		yes
Type of short-circuit protection		pulsed
Overload protection		yes
Valve control		24 (< 20 W)

# IN5409



## Inductive sensor

INE3004DBPKG

Detection zone		
Sensing range	[mm]	4
Real sensing range Sr	[mm]	4 ± 10 %
Operating distance	[mm]	0...3.25
Accuracy / deviations		
Correction factor		steel: 1 / stainless steel: 0.7 / brass: 0.5 / aluminium: 0.4 / copper: 0.3
Hysteresis	[% of Sr]	1...15
Switch point drift	[% of Sr]	-10...10
Operating conditions		
Ambient temperature	[°C]	-25...80
Protection		IP 67
Tests / approvals		
EMC	EN 60947-5-2	
	EN 55011	class B
MTTF	[years]	1072
Mechanical data		
Weight	[g]	164.5
Housing		rectangular
Mounting		non-flush mountable
Dimensions	[mm]	33 x 60 x 92
Materials		housing: PA; screws: stainless steel; washer: stainless steel
Displays / operating elements		
Display	switching status	2 x LED, yellow
Accessories		
Accessories (supplied)		washers: 2
		cylinder screws: 2 x M5 x 18
Remarks		
Pack quantity		1 pcs.

# IN5409



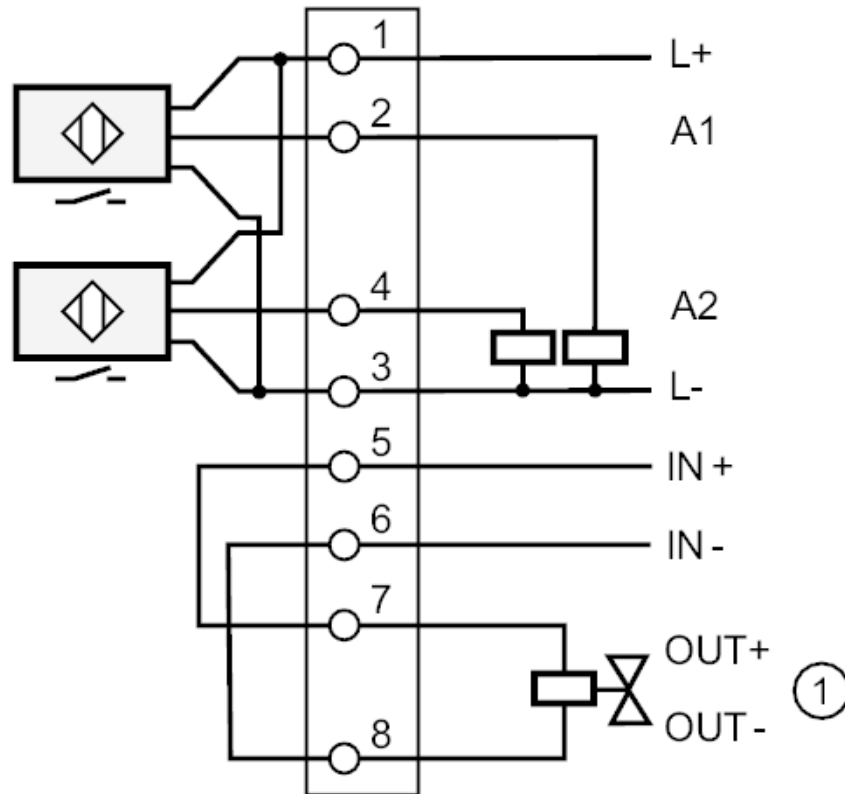
## Inductive sensor

INE3004DBPKG

### Electrical connection

terminal strip in the terminal chamber:

### Connection



1: output solenoid valve