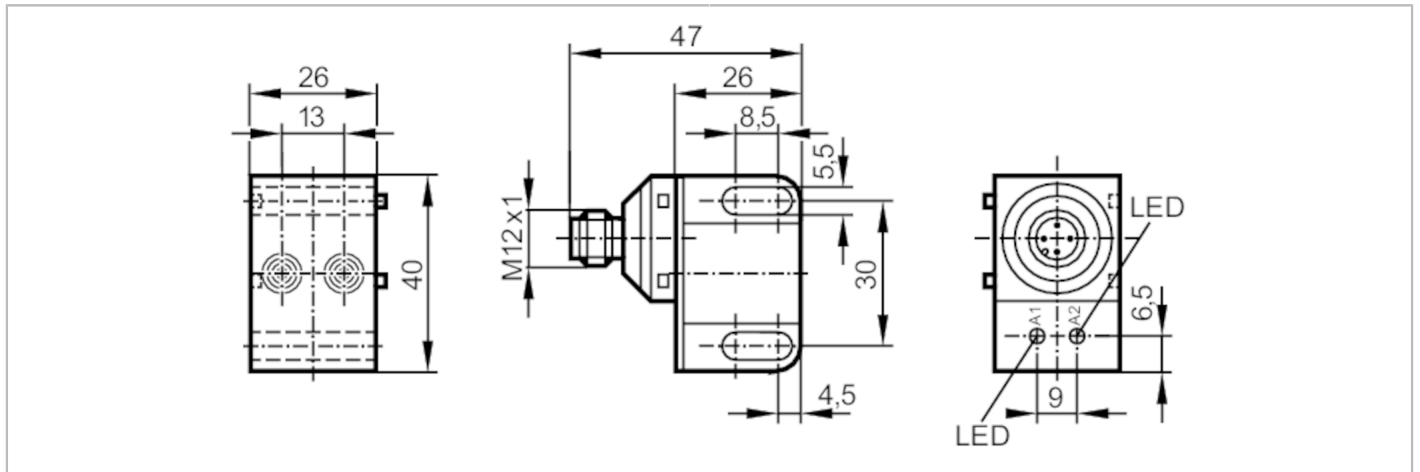


IN5327



Inductive dual sensor for valve actuators

IND3004DBPKG/US-100-DPV



Electrical data		
Operating voltage	[V]	10...36 DC
Current consumption	[mA]	15; (24 V)
Protection class		II
Reverse polarity protection		yes
Outputs		
Electrical design		PNP
Output function		2 x normally open
Max. voltage drop switching output DC	[V]	2.5
Permanent current rating of switching output DC	[mA]	250
Switching frequency DC	[Hz]	1300
Short-circuit protection		yes
Type of short-circuit protection		pulsed
Overload protection		yes
Detection zone		
Sensing range	[mm]	4
Real sensing range Sr	[mm]	4 ± 10 %
Operating distance	[mm]	0...3.25
Accuracy / deviations		
Correction factor		steel: 1 / stainless steel: 0.7 / brass: 0.4 / aluminium: 0.3 / copper: 0.2
Hysteresis	[% of Sr]	1...15
Switch point drift	[% of Sr]	-10...10
Operating conditions		
Ambient temperature	[°C]	-25...80
Protection		IP 67

IN5327



Inductive dual sensor for valve actuators

IND3004DBPKG/US-100-DPV

Tests / approvals		
EMC	EN 60947-5-2	
	EN 55011	class B
MTTF	[years]	1057
UL approval	Ta	0...40 °C
	Enclosure type	Type 1
	voltage supply	Hazardous voltage
	File number UL	E174191

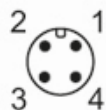
Mechanical data	
Weight	[g] 57
Housing	rectangular
Mounting	non-flush mountable
Dimensions	[mm] 40 x 26 x 47
Materials	housing: PBT; connector housing: stainless steel

Displays / operating elements		
Display	switching status	2 x LED, yellow

Remarks	
Pack quantity	1 pcs.

Electrical connection - plug

Connector: 1 x M12; Contacts: gold-plated



Connection

