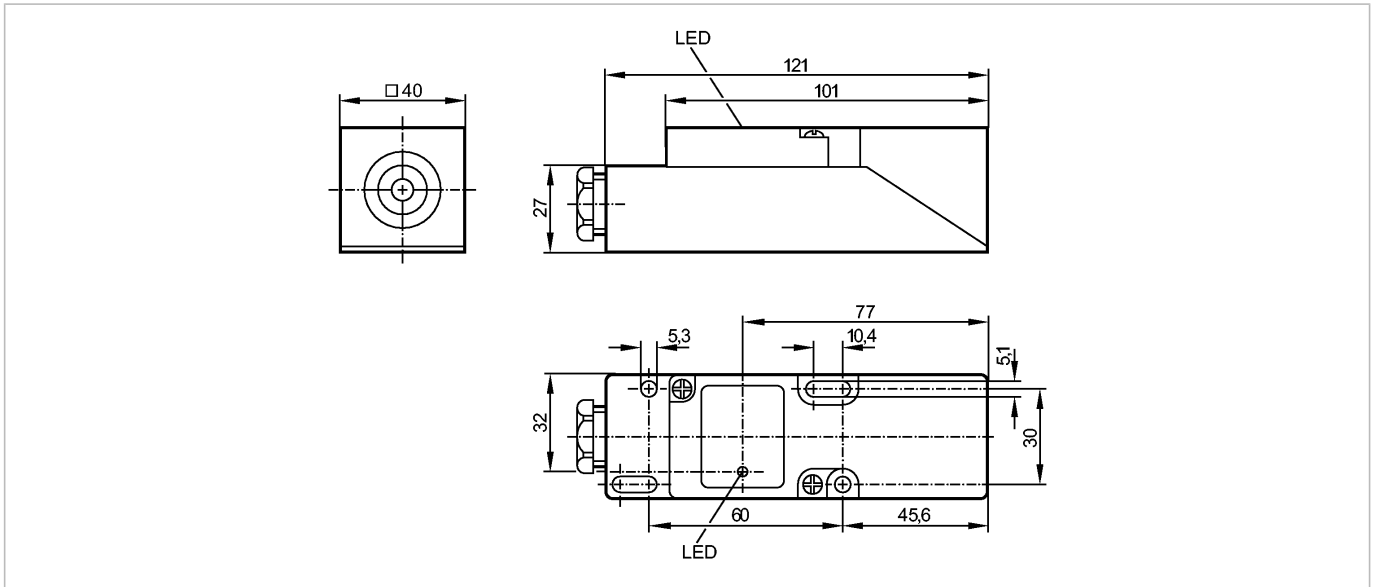


IM5020

IME3015BFPKG

Inductive sensors



Made in Germany

Product characteristics

Inductive sensor	
Rectangular, plastics	
Terminals	
Sensing range 15 mm; [f] flush mountable	

Electrical data

Electrical design		DC PNP
Operating voltage [V]		10...36 DC
Current consumption [mA]		< 15 (24 V)
Protection class		II
Reverse polarity protection		yes

Outputs

Output function		normally open / closed programmable
Voltage drop [V]		< 2.5
Current rating [mA]		250
Short-circuit protection		pulsed
Overload protection		yes
Switching frequency [Hz]		350

Range

Sensing range [mm]		15
Real sensing range (Sr) [mm]		15 ± 10 %
Operating distance [mm]		0...12.1

Accuracy / deviations

Correction factors		mild steel = 1 / stainless steel approx. 0.7 / brass approx. 0.4 / Al approx. 0.3 / Cu approx. 0.2
Hysteresis [% of Sr]		1...15
Switch-point drift [% of Sr]		-10...10

Environment

Ambient temperature [°C]		-25...80
Protection		IP 65

IM5020

IME3015BFPKG

Inductive sensors

Tests / approvals

EMC		EN 60947-5-2
MTTF	[Years]	2234

Mechanical data

Mounting		flush mountable
Housing materials		PPE
Weight	[kg]	0.191

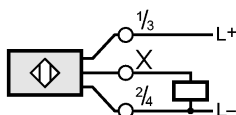
Displays / operating elements

Output status indication	LED	yellow
--------------------------	-----	--------

Electrical connection

Connection	terminals up to 2.5 mm ² ; cable diameter 7...13 mm, cable gland M20 x 1.5	
------------	---	--

Wiring



Remarks

Pack quantity	[piece]	1
---------------	---------	---