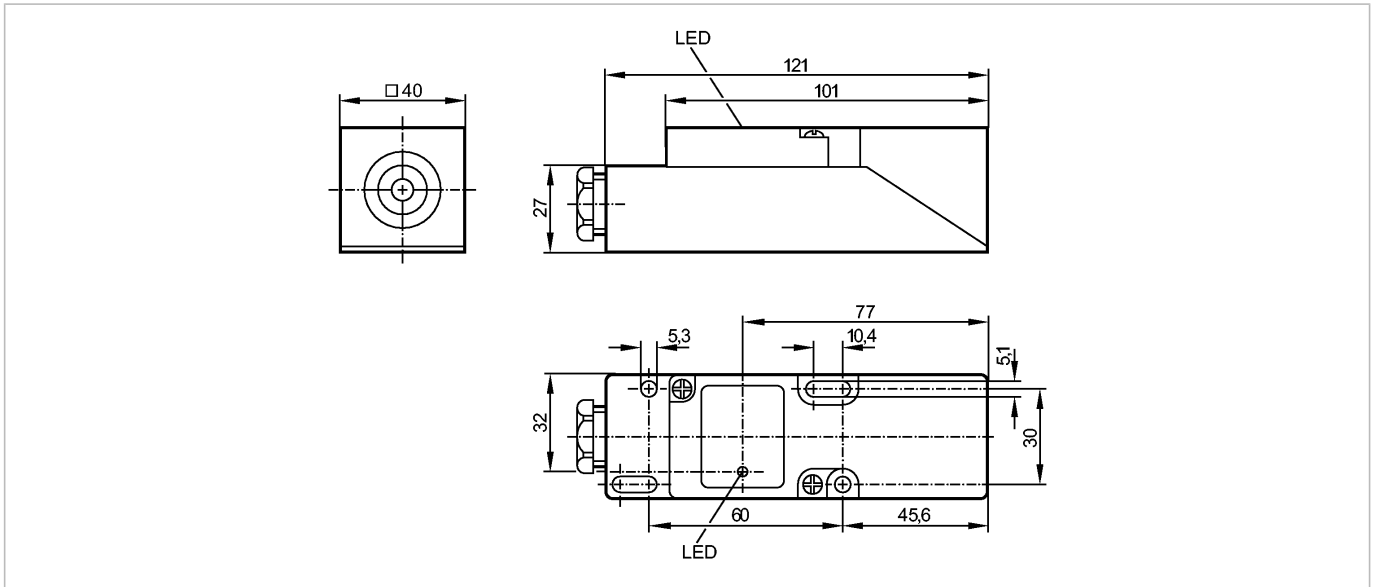


IM0010

IME2020-FBOA

Inductive sensors



Made in Germany



Product characteristics

Inductive sensor	
Rectangular, plastics	
Terminals	
Sensing range 20 mm; [nf] non-flush mountable	

Electrical data

Electrical design	AC/DC
Operating voltage [V]	20...250 AC/DC
Protection class	II
Reverse polarity protection	no

Outputs

Output function	normally open / closed programmable
Voltage drop [V]	< 6.5 AC / < 6 DC
Minimum load current [mA]	5
Leakage current [mA]	< 2.5 (250 V AC) / < 1.3 (110 V AC) / < 0.8 (24 V DC)

Current rating

- Current rating (continuous) [mA]	350 AC (...50 °C) / 250 AC (...80 °C) / 100 DC
- Current rating (peak) [mA]	î: 2.2 A (20 ms / 0.5 Hz)
Short-circuit proof	no
Overload protection	no
Switching frequency [Hz]	20 AC / 55 DC

Range

Sensing range [mm]	20
Real sensing range (Sr) [mm]	20 ± 10 %
Operating distance [mm]	0...16.2

Accuracy / deviations

Correction factors	mild steel = 1 / stainless steel approx. 0.7 / brass approx. 0.4 / Al approx. 0.3 / Cu approx. 0.2
Hysteresis [% of Sr]	1...15
Switch-point drift [% of Sr]	-10...10

IM0010

IME2020-FBOA

Inductive sensors

Environment

Ambient temperature	[°C]	-25...80
Protection		IP 65

Tests / approvals

EMC		EN 60947-5-2 EN 55011:	class B
MTTF	[Years]		604

Mechanical data

Mounting		non-flush mountable
Housing materials		PPE
Weight	[kg]	0.183

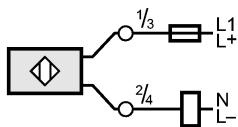
Displays / operating elements

Output status indication	LED	yellow
--------------------------	-----	--------

Electrical connection

Connection		terminals up to 2.5 mm ² ; cable diameter 7...13 mm, cable gland M20 x 1.5
------------	--	---

Wiring



Note: miniature fuse to IEC60127-2 sheet 1, ≤ 2 A (fast acting)

Remarks

Remarks		Recommendation: check the unit for reliable function after a short circuit. 5 positions of the active zone possible
---------	--	--

Pack quantity	[piece]	1
---------------	---------	---