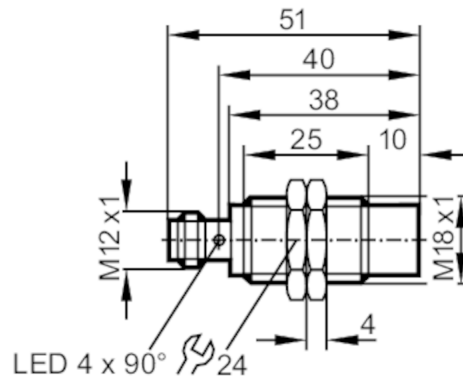


IGT201



Inductive sensor

IGB3012-APKG/M/V4A/US-104-DPO



| Electrical data | | |
|---|-----------|---|
| Operating voltage | [V] | 10...36 DC |
| Current consumption | [mA] | 10; (24 V) |
| Protection class | | II |
| Reverse polarity protection | | yes |
| Outputs | | |
| Electrical design | | PNP |
| Output function | | normally closed |
| Max. voltage drop switching output DC | [V] | 2.5 |
| Permanent current rating of switching output DC | [mA] | 100 |
| Switching frequency DC | [Hz] | 300 |
| Short-circuit protection | | yes |
| Type of short-circuit protection | | pulsed |
| Overload protection | | yes |
| Detection zone | | |
| Sensing range | [mm] | 12 |
| Real sensing range Sr | [mm] | 12 ± 10 % |
| Operating distance | [mm] | 0...9.7 |
| Increased sensing range | | yes |
| Accuracy / deviations | | |
| Correction factor | | steel: 1 / stainless steel: 0.7 / brass: 0.5 / aluminium: 0.4 / copper: 0.3 |
| Hysteresis | [% of Sr] | 1...20 |
| Switch point drift | [% of Sr] | -10...10 |
| Operating conditions | | |
| Ambient temperature | [°C] | 0...100 |
| Protection | | IP 68; IP 69K; ("COP") |

IGT201



Inductive sensor

IGB3012-APKG/M/V4A/US-104-DPO

| Tests / approvals | | |
|-------------------|---------------------------|-------------------------|
| EMC | EN 61000-4-2 ESD | 4 kV CD / 8 kV AD |
| | EN 61000-4-3 HF radiated | 10 V/m |
| | EN 61000-4-4 Burst | 2 kV |
| | EN 61000-4-6 HF conducted | 10 V |
| | EN 55011 | class B |
| MTTF | [years] | 1925 |
| UL approval | Ta | 0...40 °C |
| | Enclosure type | Type 1 |
| | voltage supply | Limited Voltage/Current |
| | File number UL | E174191 |

| Mechanical data | | |
|--------------------|------|---|
| Weight | [g] | 44.2 |
| Housing | | threaded type |
| Mounting | | non-flush mountable |
| Dimensions | [mm] | M18 x 1 / L = 51 |
| Thread designation | | M18 x 1 |
| Materials | | stainless steel (1.4404 / 316L); sensing face: PEEK |

| Displays / operating elements | | |
|-------------------------------|------------------|---------------------|
| Display | switching status | 4 x 90° LED, yellow |

| Accessories | | |
|------------------------|--|--------------|
| Accessories (supplied) | | lock nuts: 2 |

| Remarks | | |
|---------------|--|--------|
| Pack quantity | | 1 pcs. |

Electrical connection - plug

Connector: 1 x M12; Contacts: gold-plated



IGT201



Inductive sensor

IGB3012-APKG/M/V4A/US-104-DPO

Connection

