

## OWL OQ35 Handheld Thermal Monocular Camera



HIKMICRO OQ35 handheld thermal monocular camera is equipped with a 384 × 288 infrared detector and a 1024 × 768 OLED display. It supports functions of observation, distance measurement, Wi-Fi hot spot, and so on. The high-sensitivity built-in thermal detector provides you with clear view even in total darkness. The monocular is mainly applied to scenarios such as patrolling, searching and rescuing, hiking, travel, and hunting, etc

### Key Features

- High sensitivity thermal module with 640 x 512 resolution
- NETD < 35 mK (@25 °C,, F#=1.0)
- Leading thermal image processing technology: Adaptive AGC, DDE, 3D DNR
- 1024 x 768 resolution 0.39-inch OLED display
- Built-in rechargeable Li-ion battery
- Up to 5.5 hours continuous operation

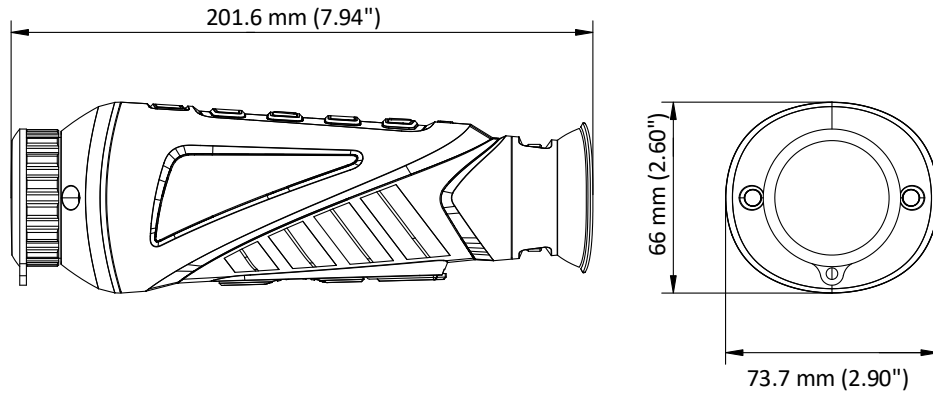
## Specification

<b>Thermal Module</b>	
Image Sensor	VOx Uncooled Focal Plane Arrays
Resolution	640 × 512
Frame Frequency	50 Hz
Pixel Interval	17 μm
Response Waveband	8 μm to 14 μm
NETD	≤ 35 mK (@25°C), F#=1.1
Focal Length	35 mm
IFOV	0.49 mrad
Field of View	17.7° × 14.2° (H × V)
Aperture	F1.0
Magnification	1.4 - 11.2
<b>Image Display</b>	
Monitor	0.39 inch, OLED, 1024 × 768
Palettes	Black Hot, White Hot, Red Hot, Fusion
Uniformity Correction	Auto, Manual, External Correction
Digital Zoom	1×, 2×, 4×, 8×
<b>Smart Function</b>	
Hot Track	Yes
Detection Range	1235 m
<b>System</b>	
Storage	Built-in memory module (16 GB)
Record Video	Yes
Capture Snapshot	Yes
Wi-Fi	Yes
Standby Mode	Yes
<b>Power Supply</b>	
Battery Type	Rechargeable Lithium Battery
Battery Operating Time	5.5 hours continuous running with CVBS and Wi-Fi hot spot function off (@25 °C) 4.5 hours continuous running with CVBS and Wi-Fi hot spot function on (@25 °C)
Battery Capacity Display	Yes
<b>General</b>	
Power	5 VDC/2 A, 2 W, Type-C Interface
Work Temperature/Humidity	From -30°C to 55°C (-22°F to 131°F); Humidity: 90% or Less
Protection Level	IP67
Dimension	201.6 mm × 73.7 mm × 66 mm (7.94" × 2.90" × 2.60")
Weight	500 g (0.55 lb)

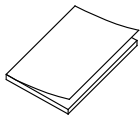
## Available Model

HM-TS06-35XF/W-OQ35

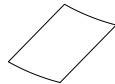
## Dimension



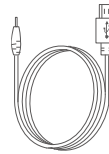
## Accessory



Quick Start Guide  
(x1)



Non-dust Cloth (x1)



USB Cable (x1)



Protective Bag (x1)



Wrist Strap (x1)

**COMPLIANCE NOTICE:** The thermal series products might be subject to export controls in various countries or regions, including without limitation, the United States, European Union, United Kingdom and/or other member countries of the Wassenaar Arrangement. Please consult your professional legal or compliance expert or local government authorities for any necessary export license requirements if you intend to transfer, export, re-export the thermal series products between different countries.