



DATA SHEET

LV 50

Vane thermo-anemometer



Easy to use



Hold function



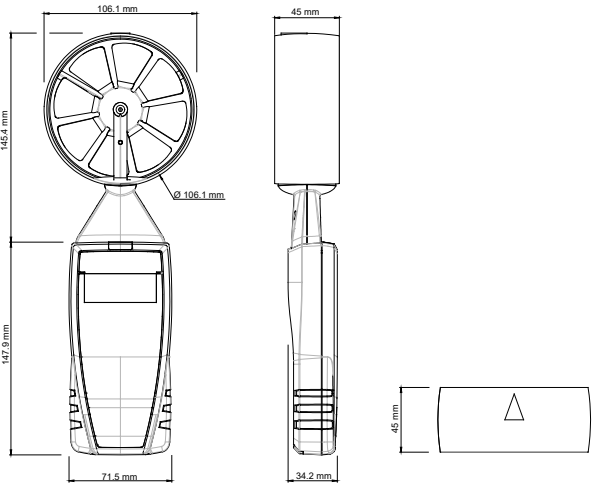
Built-in vane



Auto shut-off: 20 minutes

Features of housing

Material	ABS
Protection	IP54
Display	2 lines, LCD technology, 50 x 36 mm. 1 line of 5 digits with 7 segments (value) 1 line of 5 digits with 16 segments (unit)
Height of digits	Values: 9.2 mm. Units: 4.7 mm
Vane diameter	100 mm
Weight	200 g (with batteries)



Technical specifications

Parameter	Temperature	Air velocity
Measuring units	°C, °F	m/s, fpm, km/h
Measuring range	From -20 to 80 °C	From 0.3 to 35 m/s
Accuracy ⁽¹⁾	±0.4% of reading ±0.3 °C	From 0.3 to 3 m/s: ±3% of reading ±0.1 m/s From 3.1 to 35 m/s: ±1% of reading ±0.3 m/s
Resolution	0.1 °C	From 0.3 to 3 m/s: 0.01 m/s. From 3.1 to 35 m/s: 0.1 m/s
Response time	T ₆₃ = 5 s	T ₆₃ = 4 s
Measuring elements	NTC	Hall effect sensor
Conditions of use (°C/%RH/m)	From 0 to +50 °C. In non-condensing conditions. From 0 to 2000 m.	
Storage temperature	From -20 to +80 °C	
Power supply	4 batteries AAA LR03 1.5 V	
Battery life	70 hours	

European directives 2014/30/EU EMC; 2014/35/EU Low Voltage; 2011/65/EU RoHS II; 2012/19/EU WEEE

⁽¹⁾ All the accuracies indicated in this technical datasheet were stated in laboratory conditions, and can be guaranteed for measurements carried out in the same conditions, or carried out with calibration compensation.

Kit content

Instruments are supplied with an adjustment certificate and a soft case.

Accessories

Reference	Description
-	Calibration certificate
MT 51	Soft case
CQ 15	Magnetic protective housing



Only the accessories supplied with the device must be used.

Warranty

Instruments have 1-year warranty for any manufacturing defect (return to our After-Sales Service required for appraisal).

Maintenance:

We carry out calibration, adjustment and maintenance of your instruments to guarantee a constant level of quality of your measurements.

As part of Quality Assurance Standards, we recommend you to carry out a yearly checking.

Precautions for use:

Please always use the device in accordance with its intended use and within parameters described in the technical features in order not to compromise the protection ensured by the device.