

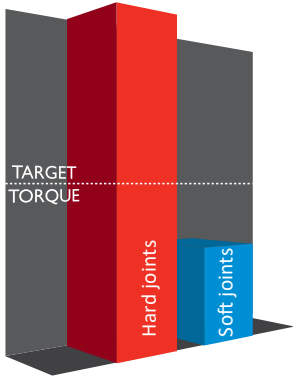


EVOTORQUE®2

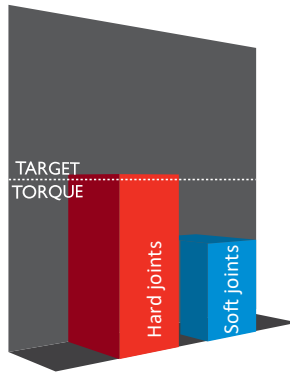


Traditional electronic torque tools give vastly different results depending on the joint type. Norbar's 'intelligent joint sensing' technology eliminates these issues so that you can be confident in your bolting work.

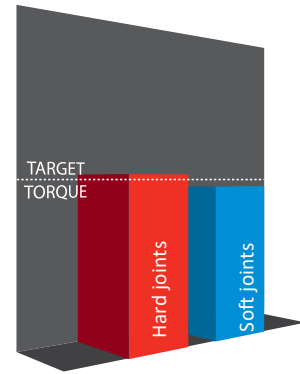
First generation



Best of present generation



New generation EvoTorque®2



ET2-72 (1000 & 1350)

ET2-72 (2000)

ET2-80 (2700)

ET2-92 (3500 & 4000)

ET2-119 (6000 & 7000)

11	EVOTORQUE 2 - 110 V	
180230.B06	ET2-72-1000-110, ¾" sq. dr., 200 - 1,000 N·m	
180231.B06	ET2-72-1350-110, ¾" sq. dr., 270 - 1,350 N·m	
180232.B08	ET2-72-2000-110, 1" sq. dr., 400 - 2,000 N·m	
180239.B08	ET2-80-2700-110, 1" sq. dr., 540 - 2,700 N·m	
180237.B08	ET2-92-3500-110, 1" sq.dr., 700 - 3,500 N·m	
180238.B08	ET2-92-4000-110, 1" sq. dr., 800 - 4,000 N·m	
180235.B12	ET2-119-6000-110, 1½" sq. dr., 1,200 - 6,000 N·m	
180236.B12	ET2-119-7000-110, 1½" sq. dr., 1,400 - 7,000 N·m	

11	EVOTORQUE 2 - 230 V	
180220.B06	ET2-72-1000-230, ¾" sq. dr., 200 - 1,000 N·m	
180221.B06	ET2-72-1350-230, ¾" sq. dr., 270 - 1,350 N·m	
180222.B08	ET2-72-2000-230, 1" sq. dr., 400 - 2,000 N·m	
180229.B08	ET2-80-2700-230, 1" sq. dr., 540 - 2,700 N·m	
180227.B08	ET2-92-3500-230, 1" sq.dr., 700 - 3,500 N·m	
180228.B08	ET2-92-4000-230, 1" sq. dr., 800 - 4,000 N·m	
180225.B12	ET2-119-6000-230, 1½" sq. dr., 1,200 - 6,000 N·m	
180226.B12	ET2-119-7000-230, 1½" sq. dr., 1,400 - 7,000 N·m	

The EvoTorque®2 is supplied in a cardboard box as standard, if a sturdier case is required Norbar can provide a Peli Case at an additional charge. Please add .PEL on to the end of the part number when ordering. Additional charges are as follows; 26969 (up to and including 2,000 N·m tool add £1,038.46) or 26971 (2,700 N·m and above add £1,153.83).



Standard Box



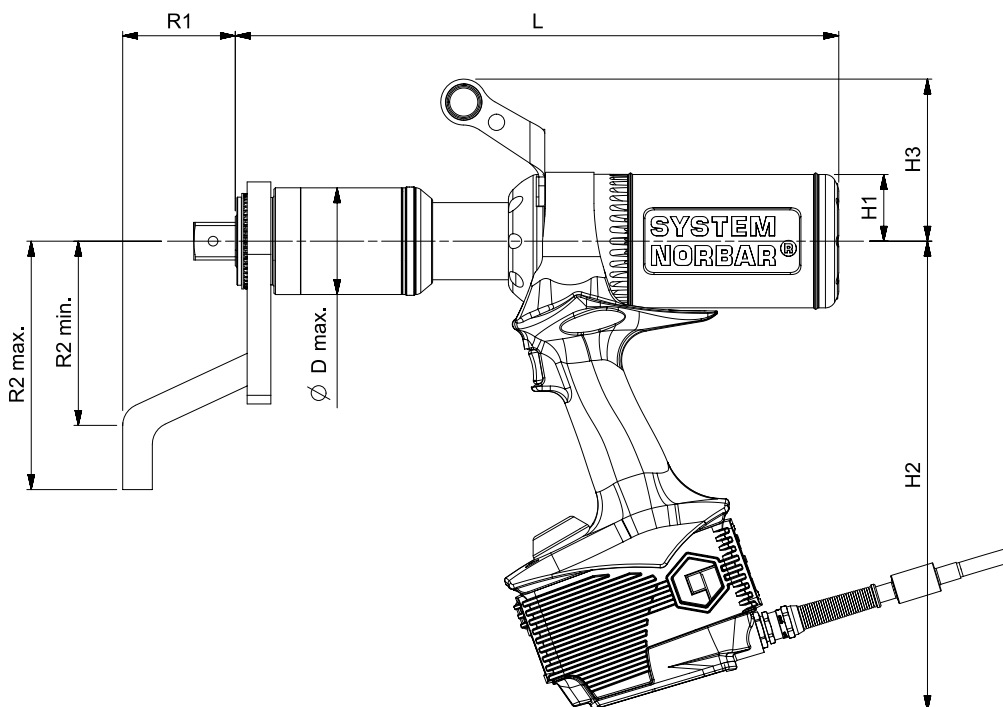
Optional Peli Case
Part No. 26969 or 26971



EVOTORQUE®2



Model	ET2-72-1000 ET2-72-1350	ET2-72-2000	ET2-80-2700	ET2-92-3500 ET2-92-4000	ET2-119-6000 ET2-119-7000	
Part Number	180230.B06 180220.B06 180231.B06 180221.B06	180232.B08 180222.B08	180239.B08 180229.B08	180237.B08 180227.B08 180238.B08 180228.B08	180235.B12 180225.B12 180236.B12 180226.B12	
Output Speed (rpm)	21 (ET-72-1000) 17 (ET-72-1350)	11	10	6	3.3	
Dimensions (mm)	∅D max.	72	72	80	92	119
	H1	45	45	45	45	45
	H2	317	317	317	317	317
	H3	109	109	109	109	109
	L	366	407	363	417	440
	R1	71	76	76	70	90
	R2 min. R2 max.	124 167	124 167	124 167	125 175	162 210
Tool Weight (kg)	10.4	10.8	10.8	12.9	16.8	
Reaction Weight (kg)	1.5	1.5	1.5	2.6	3.9	



Patented in the UK and Germany (EP2699389) and in the USA (US9676086).



EVOTORQUE® BATTERY TOOL (EBT)



New



The EvoTorque® Battery Tool (EBT) features a new brushless motor, data memory and data transfer capabilities. Norbar have combined this with our respected gearboxes to deliver a range of fast, reliable, accurate torque tools that retain key features from our EvoTorque® 2 range (see page 53).

Fast: EBT uses a powerful motor coupled with either a single speed or auto two speed gearbox for rapid joint completion times.

Durable: The industrial motor used by the EBT will keep going where most other battery tools will overheat.

Accurate: EBT is a transducer controlled battery powered torque tool designed for accurately applying torque to threaded fasteners. The unique 'intelligent joint sensing' technology continually measures the joint during tightening and when necessary, employs dynamic braking to avoid torque over-shoot due to motor inertia, consistently achieving highly accurate results of $\pm 3\%$ of setting.

- Tool is not constrained by power cable or hose, improving safety, convenience and versatility
- 18V, 5.0Ah battery and efficient motor give outstanding fastening performance per charge.
- Up to 3 cold batteries can be simultaneously charged from flat in 45 minutes
- 'Safe to start' button ensures hands are safely positioned at start up
- OLED display ensures visibility in all conditions
- High powered LED to illuminate application
- Optional 'Ease of Use' functionality when in 'Torque Only' mode, minimising operator error
- Traceable calibration certificate for torque & angle provided as standard
- Available in single speed ideal for torque with angle control
- Auto two speed configurations available for rapid joint completion
- Torque, Torque & Angle and Torque Audit modes available
- In Torque & Angle Mode and Audit Mode, torque can be set from a lower percentage of tool maximum on single speed tools compared to their auto two speed equivalents. Single speed tools are therefore recommended for angle operation



EBT display panel and 'safe to start' button