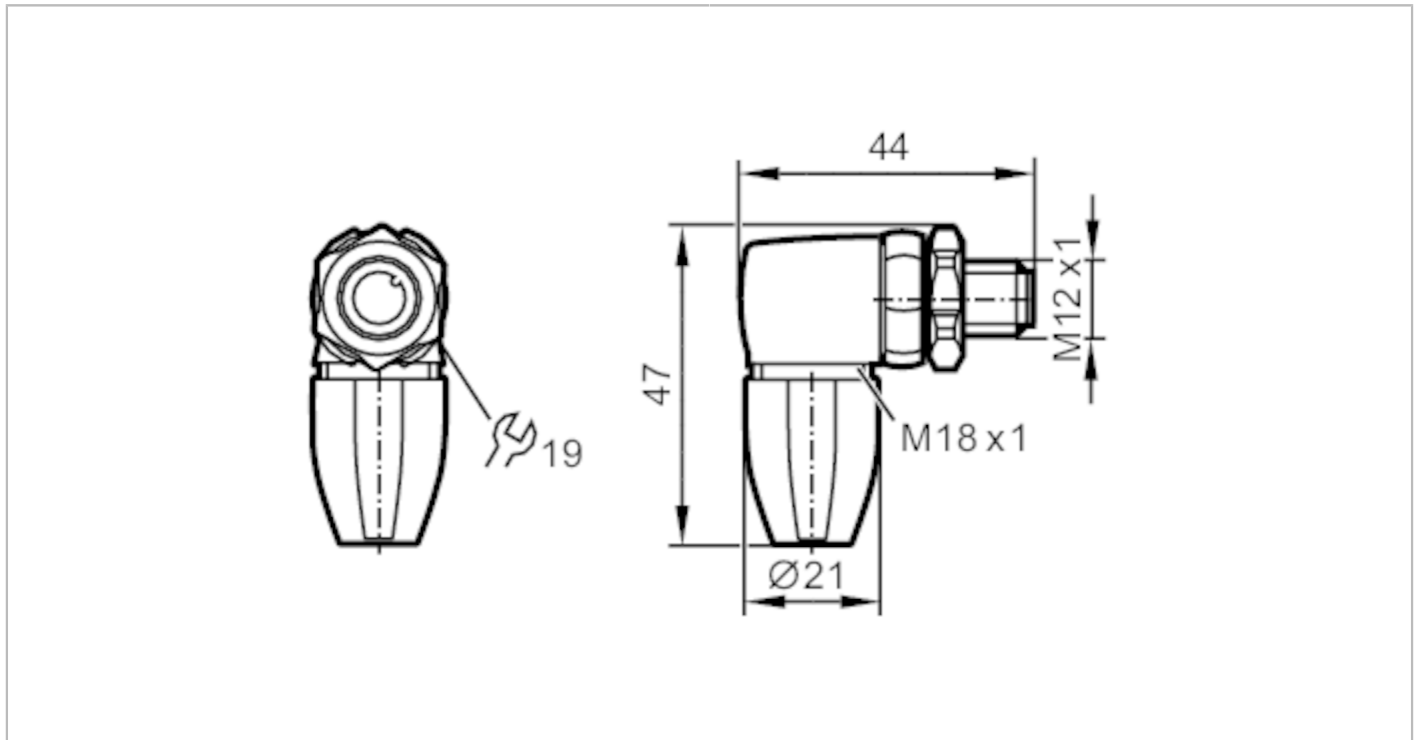


# EVF572



## Wirable plug

SSTAH050VASFKPG



CE

### Application

Design	angled
Application	hygienic and wet areas in the food industry
Free from silicone	yes

### Electrical data

Operating voltage [V]	< 60 AC/DC
Protection class	II
Max. current load total [A]	4; (...40 °C)

### Operating conditions

Ambient temperature [°C]	-25...100
Protection	IP 65; IP 67; IP 68; IP 69K

### Mechanical data

Weight [g]	33.9
Materials	PA 6.6 grey; Sealing EPDM
Material nut	stainless steel

### Remarks

Pack quantity	1 pcs.
---------------	--------

### Electrical connection

screw terminals: 0.25...1 mm<sup>2</sup>; Cable sheath: Ø 3.5...6 mm; AWG 23...17

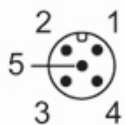
### Electrical connection - plug

Connector: 1 x M12, angled; Moulded body: PA 6.6, grey; Locking: stainless steel; Sealing: EPDM; Contacts: gold-plated; Tightening torque: 0.6...1.2 Nm; Take into account the maximum value of the counterpart!

# EVF572

## Wirable plug

SSTAH050VASFKPG



### Connection

