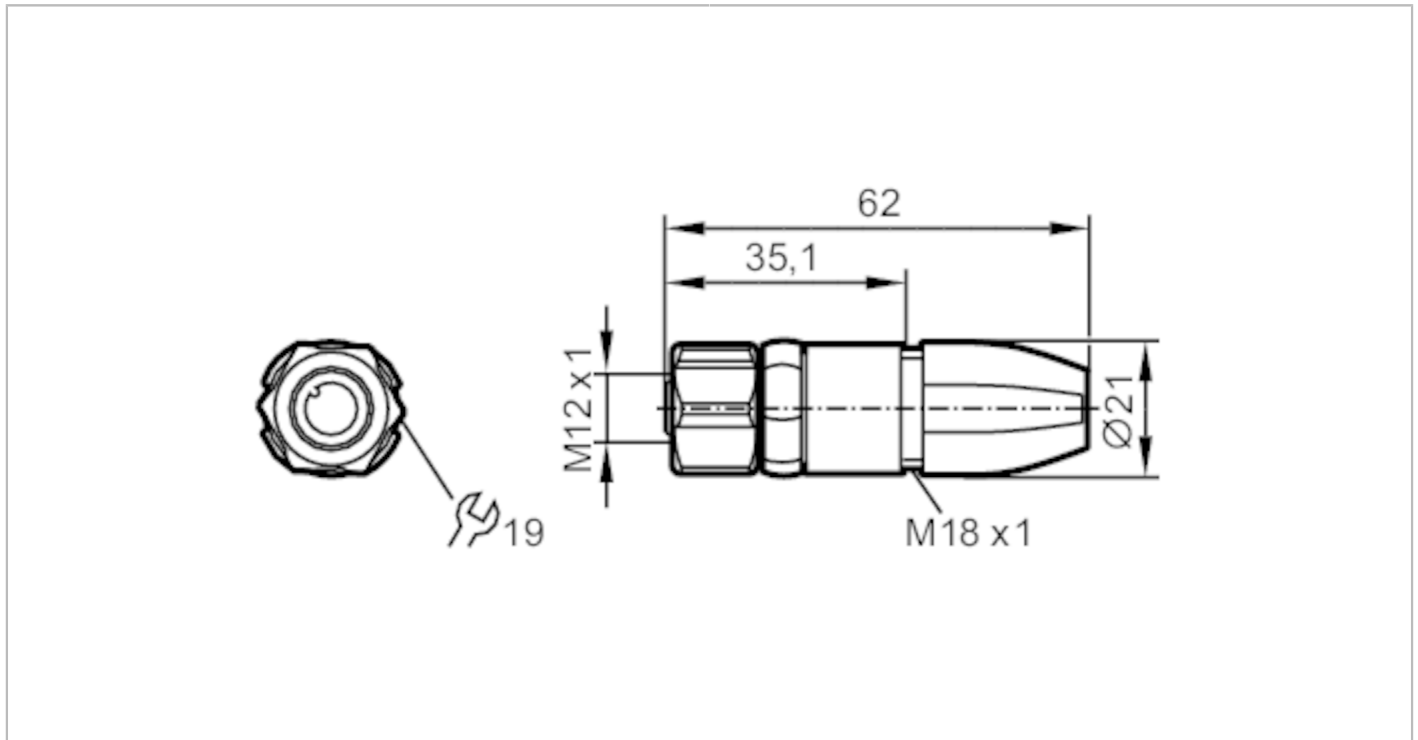


EVF569



Wirable socket

SDOGH050VASFKPG



CE

Application	
Design	straight
Application	hygienic and wet areas in the food industry
Free from silicone	yes
Electrical data	
Operating voltage [V]	< 60 AC/DC
Protection class	II
Max. current load total [A]	4; (...40 °C)
Operating conditions	
Ambient temperature [°C]	-25...100
Protection	IP 65; IP 67; IP 68; IP 69K
Mechanical data	
Weight [g]	42
Materials	PA 6.6 grey; Sealing EPDM
Material nut	stainless steel (1.4404 / 316L)
Remarks	
Pack quantity	1 pcs.

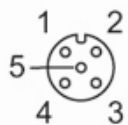
Electrical connection
 screw terminals: 0.25...1 mm²; Cable sheath: Ø 3.5...6 mm; AWG 23...17

Electrical connection - socket
 Connector: 1 x M12, straight; Moulded body: PA 6.6, grey; Locking: stainless steel (1.4404 / 316L); Sealing: EPDM; Contacts: gold-plated; Tightening torque: 0.6...1.2 Nm; Take into account the maximum value of the counterpart!

EVF569

Wirable socket

SDOGH050VASFKPG



Connection

