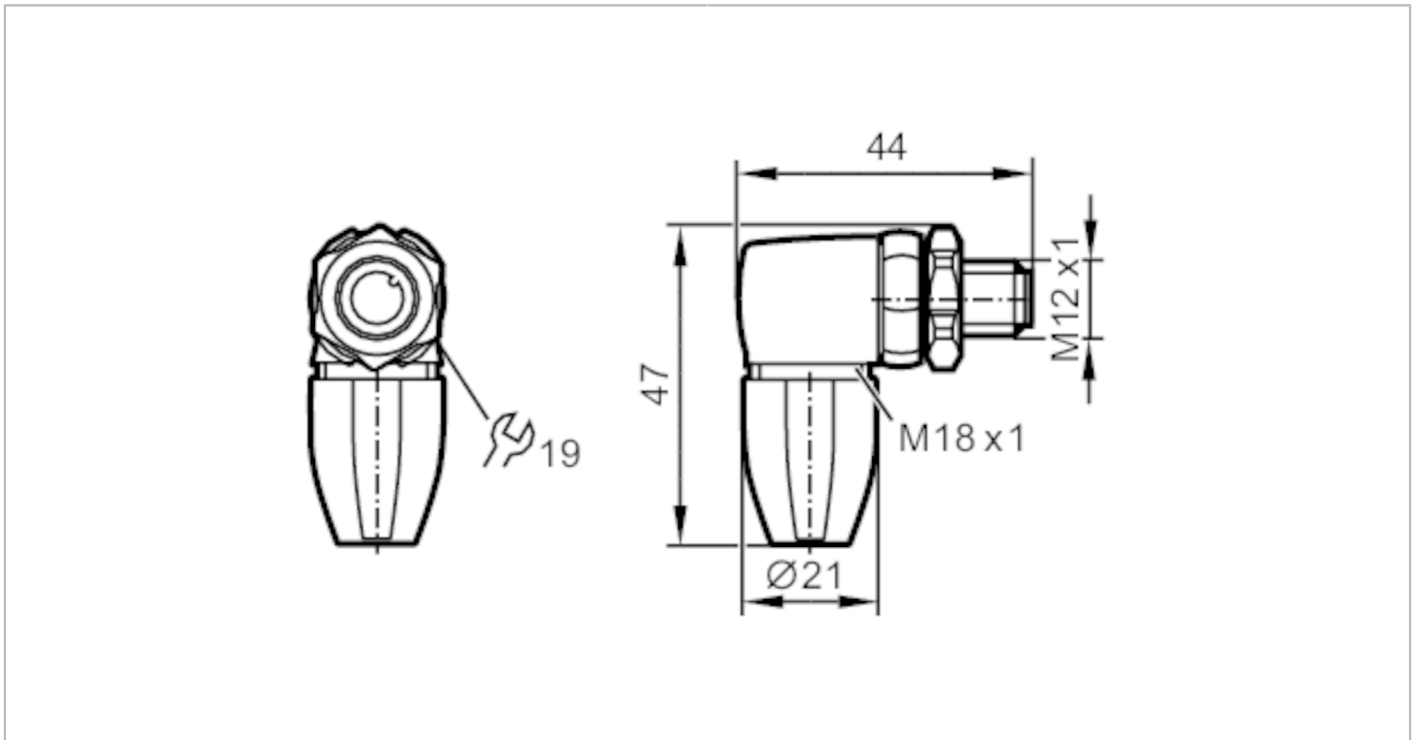


EVF568



Wirable plug

SSTA040VASFKPG



CE

Application

Design	angled
Application	hygienic and wet areas in the food industry
Free from silicone	yes

Electrical data

Operating voltage [V]	< 250 AC / < 300 DC
Protection class	II
Max. current load total [A]	4; (...40 °C)

Operating conditions

Ambient temperature [°C]	-25...100
Protection	IP 65; IP 67; IP 68; IP 69K

Mechanical data

Weight [g]	32.7
Materials	PA 6.6 grey; Sealing EPDM
Material nut	stainless steel

Remarks

Pack quantity	1 pcs.
---------------	--------

Electrical connection

screw terminals: 0.25...1 mm²; Cable sheath: Ø 3.5...6 mm; AWG 23...17

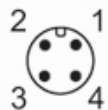
Electrical connection - plug

Connector: 1 x M12, angled; Moulded body: PA 6.6, grey; Locking: stainless steel; Sealing: EPDM; Contacts: gold-plated; Tightening torque: 0.6...1.2 Nm; Take into account the maximum value of the counterpart!

EVF568

Wirable plug

SSTA040VASFKPG



Connection

