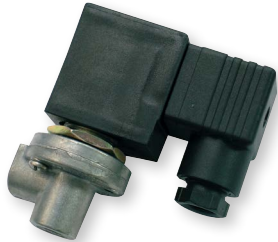


# PILOT SOLENOID VALVE

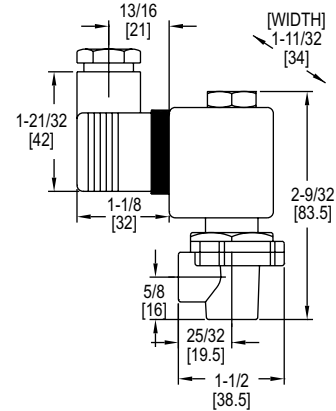
For Use with Remote Valves



RSV1D



RSV1L



The **Series RSV Pilot Solenoid Valve** is used to operate the Series RDCV remote type diaphragm valve to air pulse clean filters in dust collectors. Consult factory for mounting of RSV valves with our DCT timer boards together in one enclosure all pre-wired.

### BENEFITS/FEATURES

- Filtered and oil-free
- Weatherproof enclosure package available
- Can be mounted with DCT timer boards in one enclosure, consult factory

### APPLICATIONS

- For use with RDCV remote valve

MODEL CHART			
Model	Voltage	Electrical Connections	Cv Value
RSV1D	110 VAC	DIN	.33
RSV2D	220 VAC	DIN	.33
RSV3D	24 VDC	DIN	.33
RSV1L	110 VAC	Wire leads	.33
RSV2L	220 VAC	Wire leads	.33
RSV3L	24 VDC	Wire leads	.33

### SPECIFICATIONS

**Service:** Compatible gases, filtered and oil free.

**Wetted Materials:** Body: Aluminum; Core and spring: 304 SS; Seals: NBR.

**Pressure Limits:** Min of 4.4 psi (0.3 bar), max of 124.7 psi (8.6 bar).

**Temperature Limits:** Ambient: -4 to 122°F (-20 to 50°C); Operating: -4 to 185°F (-20 to 85°C).

**Power Requirements:** 110 VAC, 220 VAC, or 24 VDC.

**Power Consumption:** 12 W, inrush: 17 VA, holding: 14.5 VA.

**Enclosure Rating:** NEMA 4X (IP66).

**Electrical Connection:** DIN connection or wire leads, 18 AWG, 22" (55 cm) long.

**Process Connection:** 1/8" female NPT.

**Mounting Orientation:** Any position.

**Pneumatic Tube Length:** Maximum of 9.8' (3 m).

**Weight:** 0.60 lb (0.27 kg).

**Compliance:** CE.