

Inside Micrometers

SERIES 339 – Digimatic Long Range Extension Tube Inside Micrometer

- Wide range of inside measurements possible by combining extension tubes with the micrometer head.
- The sleeve is rotated to adjust the index line position when setting to a length standard.
- An optional inside-length standard, such as a setting ring or Inside Micro Checker (see pages C-37 to C-38 or page C-24, respectively), is required for accurately setting the micrometer before measurement.

339-303/304 features:

- IP65 (water-proof) protection level that enables use in the presence of cutting fluid.
- A large-character LCD display.
- Storage of 2 preset values for use when setting to an inside length standard.
- A function lock that prevents accidental changing of the reference setting during measurement.
- An output port for measurement data that enables inclusion in a statistical process control or networked measurement system.
- Ability to use Interface Input Tools that enable conversion of measurement data to keyboard signals that are then directly input to cells in off-the-shelf spreadsheet software.

MeasurLink ENABLED
Data Management Software by Mitutoyo



339-303

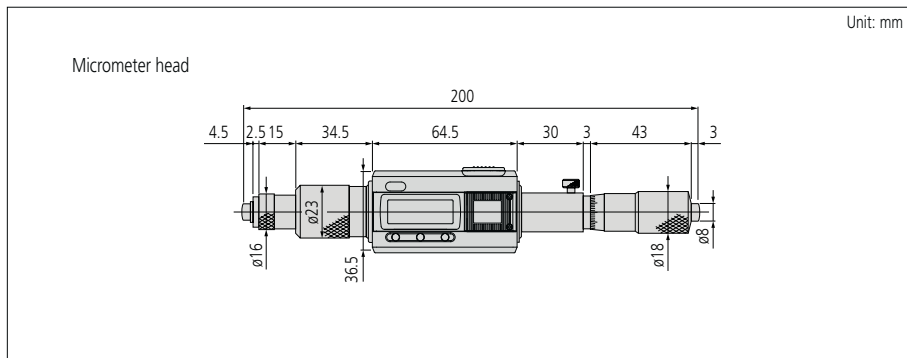


Specifications

Inch/Metric

Code No.	Range	Micrometer head stroke	Extension tubes	Display unit
339-102	8-9" (203.2-228.6 mm)	1" (25 mm)	—	8-9" (200-225 mm)
339-303	8-40" (203.2-1016 mm)		1", 2", 4", 8", 16"	
339-304	8-60" (203.2-1524 mm)		1", 2", 4", 8" (2 pcs.), 16" (3 pcs.)	

Dimensions



Technical Data

Dust/water protection level:	IP65 (IEC60529)
Resolution:	0.001 mm / .0001"
Battery:	SR44 (1 pc) 938882
Accuracy*1:	$\pm(3+n+L/50) \mu\text{m}^{*2}$ / $\pm[.00015+.00005n+.00005(L/2)]''^{*2}$

*1 Excluding quantizing error.

*2 n = number of tubes, L = maximum measuring length (mm/inch)

Note: Fractions rounded up

Functions (for 339-303/304)

- Zero-setting
- Origin restoration
- Data hold
- 2-point preset
- Function lock
- Automatic power ON/OFF
- Error alarm
- Data output

Optional Accessories

Code No.	Description
02AZD790B	U-WAVE-T data cable with pushbutton (160 mm)
02AZE140B	U-WAVE-T data cable with pushbutton and footswitch connection (160/500 mm)
05CZA662	SPC data cable with pushbutton (1 m)
05CZA663	SPC data cable with pushbutton (2 m)
06AFM380B	USB Input Tool Direct USB-ITN-B (2 m)

Setting rings (up to ø300 mm / ø12") refer to pages C-37 to C-38.



Using a setting ring to accurately set an inside micrometer.