

Micrometers

SERIES 422 – Digimatic Blade Micrometer

- The anvil and spindle are blade-shaped for measuring the groove diameter of shafts, keyways, and other hard-to-reach features.
- Equipped with Ratchet Stop for constant measuring force.
- Four types of blade shape are available (see diagrams below). Types C and D have carbide-tipped measuring faces.

MeasurLink ENABLED
Data Management Software by Mitutoyo

B



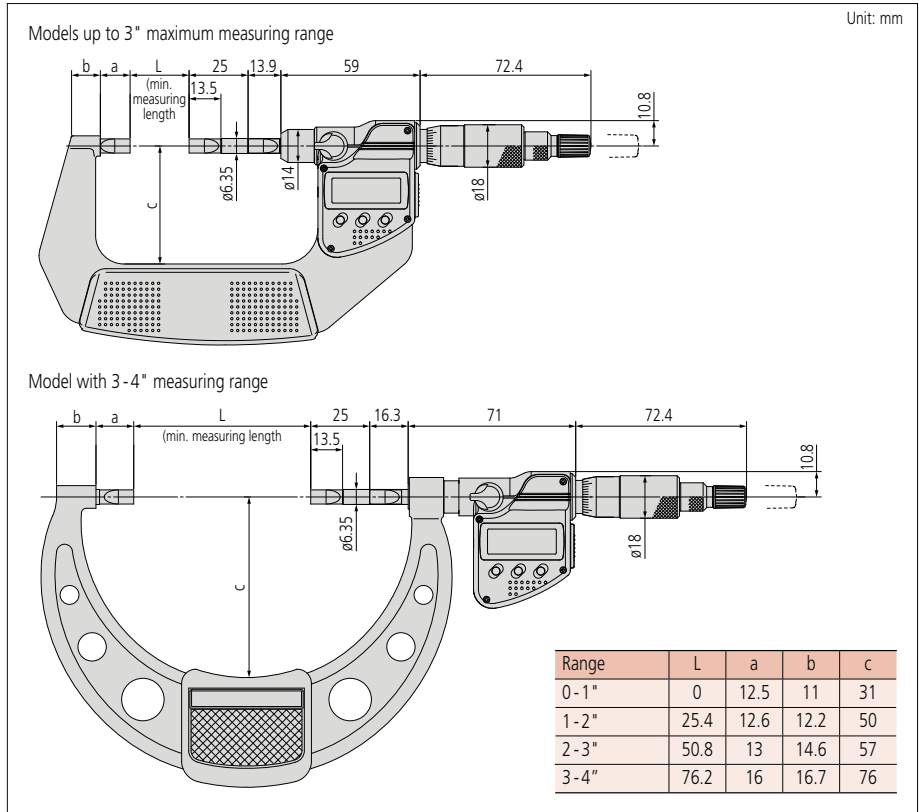
422-330-30

Specifications

Inch/Metric					
Code No.	Range	Resolution	Accuracy*	Remarks	
422-330-30	0-1" (0-25.4 mm)	.00005" (0.001 mm)	±.00015" (±3 μm)	Type A	
422-331-30	1-2" (25.4-50.8 mm)				
422-332-30	2-3" (50.8-76.2 mm)				
422-333-30	3-4" (76.2-101.6 mm)		±.0002" (±4 μm)		
422-360-30	0-1" (0-25.4 mm)		±.00015" (±3 μm)		Type B
422-370-30			Type C		
422-371-30			Type D		

* Excluding quantizing error.

Dimensions



Technical Data

Parallelism: .00015" (3 μm) for models up to 3",
.0002" (4 μm) for models over 3"
Battery: SR44 (1 pc) 938882

Optional Accessories

Code No.	Description	
264-623	U-WAVE-TM transmitter	
02AZF310	U-WAVE-TM connection unit	
05CZA662	SPC data cable with pushbutton (1 m)	
05CZA663	SPC data cable with pushbutton (2 m)	
06AFM380B	USB input tool direct USB-ITN-B (2 m)	

