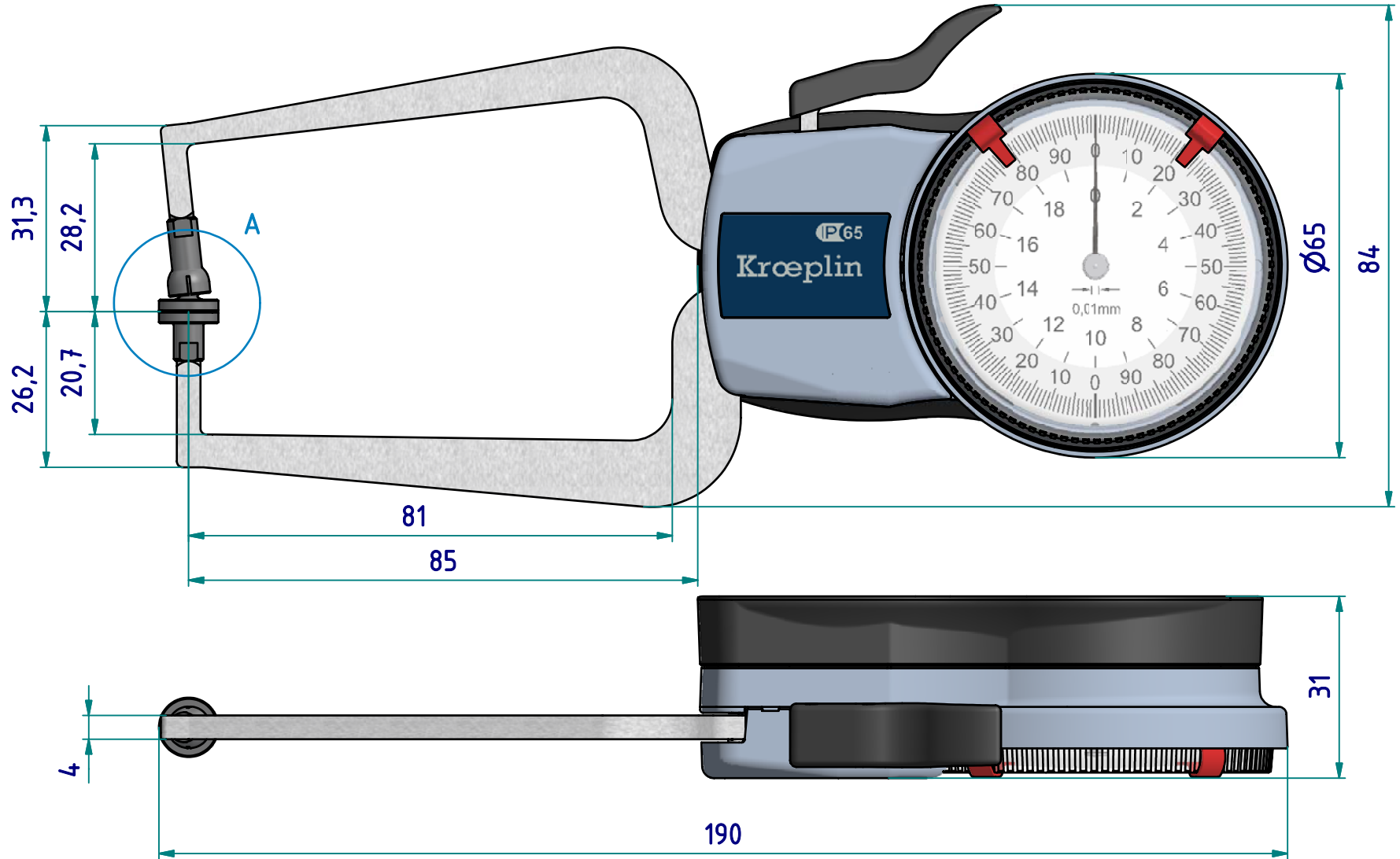
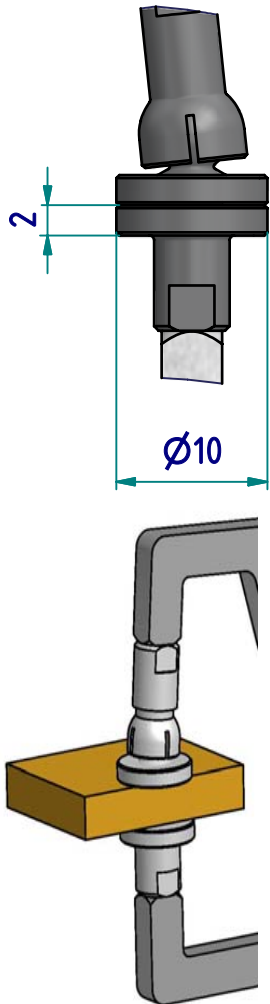


A ( 2 : 1 )



subject to technical alterations

type: D  
range: 0 - 20 mm  
range of indication: 0 - 20,5 mm  
digital step: -  
scale interval: 0,01 mm  
measuring force: 1,1 - 1,6 N  
weight: 220 g

acceptable deviations  
VDI/VDE/DGQ 2618 Bl. 12.1/13.1)  
max. permissible  
errors "G": 0,04 mm  
repeatability "r": 0,01 mm  
reference temperature: 20° C  
operation temperature: 10° C - 30° C  
storage temperature: -10° C - 50° C

scale: 1:1  
drawing-nr.: DAB-D220T\_KR\_e  
date of issue: 08.01.09  
name: T.Koenig  
revision status:  
revision date: