

# Calipers

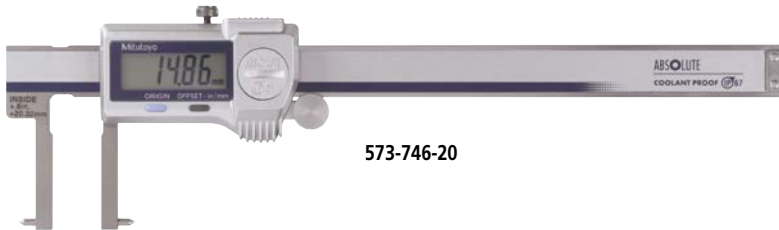
## SERIES 573, 536 – Point Jaw Inside Caliper

- Specially designed for inside measurements in hard-to-reach places.
- Digimatic models feature Mitutoyo's ABSOLUTE system with IP67 ingress protection. No need to reset the origin after switching on.
- Digimatic models enable integration into statistical process control and measurement systems.

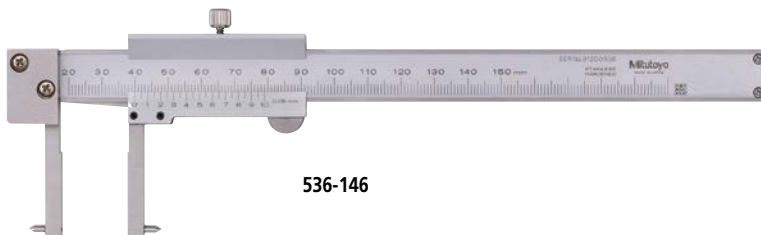
**MeasurLink<sup>®</sup> ENABLED**  
Data Management Software by Mitutoyo

**ABSOLUTE**

**IP67**



573-746-20



536-146

### Specifications

Inch/Metric

Code No.	Range	Resolution	Accuracy* <sup>1</sup>	Min. measurable hole
<b>ABSOLUTE Digimatic type</b>				
573-746-20* <sup>2</sup>	20 - 170 mm (.8 - 6")	0.01 mm (.0005")	±0.03 mm (±.0015")	ø20 mm (ø.8")

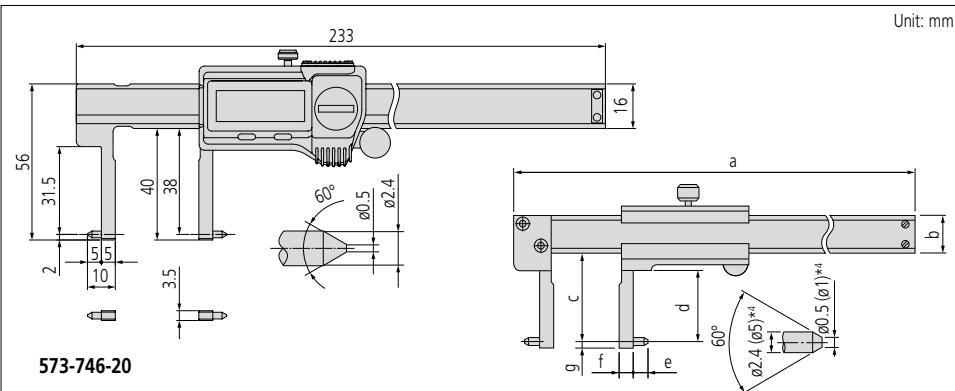
Metric

Code No.	Range	Graduation	Accuracy	Min. measurable hole
<b>Vernier type</b>				
536-146	20 - 150 mm	0.05 mm	±0.05 mm	ø20 mm
536-147	30 - 300 mm		±0.08 mm	ø30 mm
536-148	70 - 450 mm		±0.10 mm	ø70 mm
536-149	70 - 600 mm		±0.12 mm	

\*<sup>1</sup> Excluding quantizing error.

\*<sup>2</sup> Equipped with the offsetting function, which indicates the actual measurement value.

### Dimensions



Unit: mm

573-746-20

\*<sup>4</sup> 450 and 600 mm range models

Range	a	b	c	d	e	f	g
20 - 150 mm	229	16	38	31	5	5	2
30 - 300 mm	403	20	98	89	10		
70 - 450 mm	610	25	145	136	10	25	5
70 - 600 mm	750						

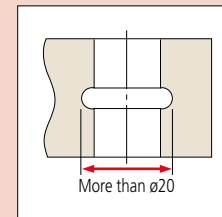
### Technical Data for 573 series

Dust/water protection level:	IP67* <sup>3</sup>
Scale type:	ABSOLUTE electromagnetic induction linear encoder
Max. response speed:	Unlimited
Battery:	SR44 (1 pc.), <b>938882</b>
Battery life:	Approx. 3 years under normal use (1 year for models over 300 mm)

\*<sup>3</sup> Rustproofing treatment to be applied after use.

### Optional Accessories for 573 series

Code No.	Description
264-620	U-WAVE-TC transmission unit
02AZF310	U-WAVE-TC connection unit
05CZA624	SPC data cable with pushbutton (1 m)
05CZA625	SPC data cable with pushbutton (2 m)
06AFM380A	USB input tool direct USB-ITN-C (2 m)



Application example.