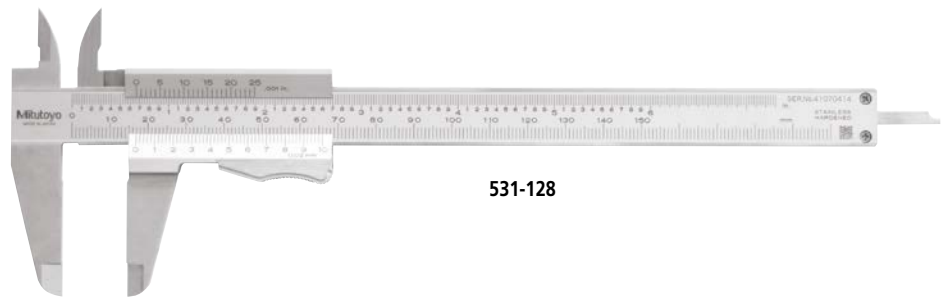
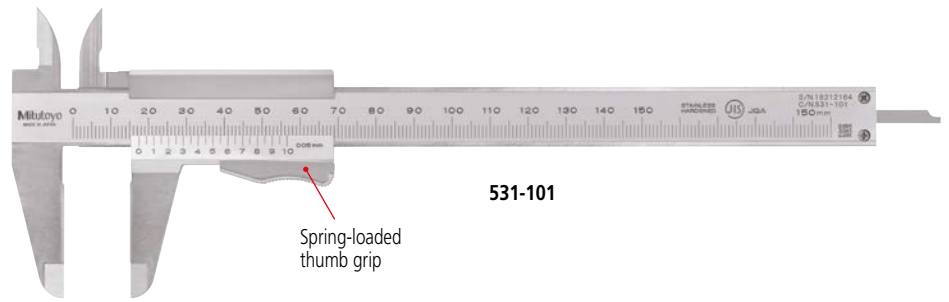


SERIES 531 – Vernier Thumb Clamp Caliper

- The slider moves only when the spring-loaded thumb clamp is depressed.
- Can measure outside and inside dimensions, depth, and steps.



Specifications

Metric				
Code No.	Range	Accuracy	Graduation	Remarks
531-101	0 - 150 mm	±0.05 mm	0.05 mm	—
531-102	0 - 200 mm			
531-103	0 - 300 mm	±0.08 mm		
Inch/Metric				
Code No.	Range	Accuracy	Graduation	Remarks
531-128	0 - 150 mm (0 - 6")	±0.03 mm	0.02 mm (.001")	High accuracy model
531-129	0 - 200 mm (0 - 8")			
531-112	0 - 300 mm (0 - 12")	±0.04 mm		

Dimensions

