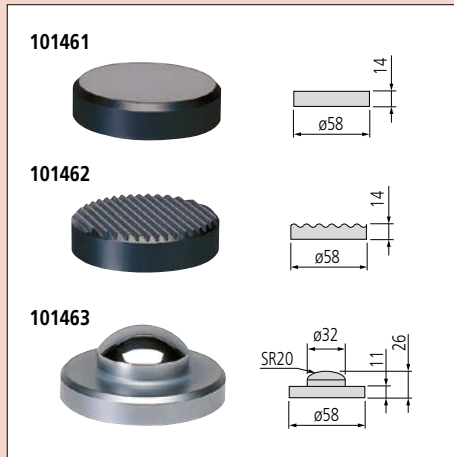


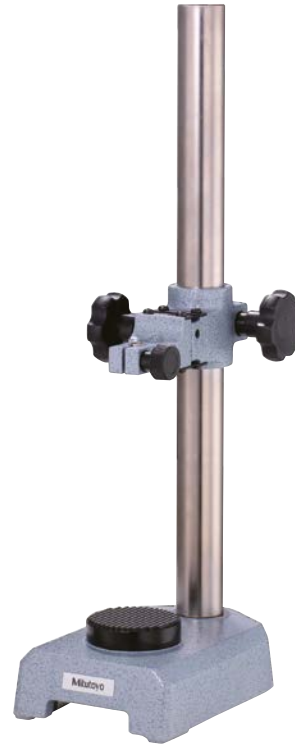
Optional Accessories

Code No.	Description
101461	Hardened steel flat anvil
101462	Hardened steel serrated anvil
101463	Hardened steel domed anvil



SERIES 519 – Transfer Stand

- Transfer Stands are designed for comparison measurements of size using a dial indicator or Digimatic indicator.



519-109-10
(with a serrated anvil)

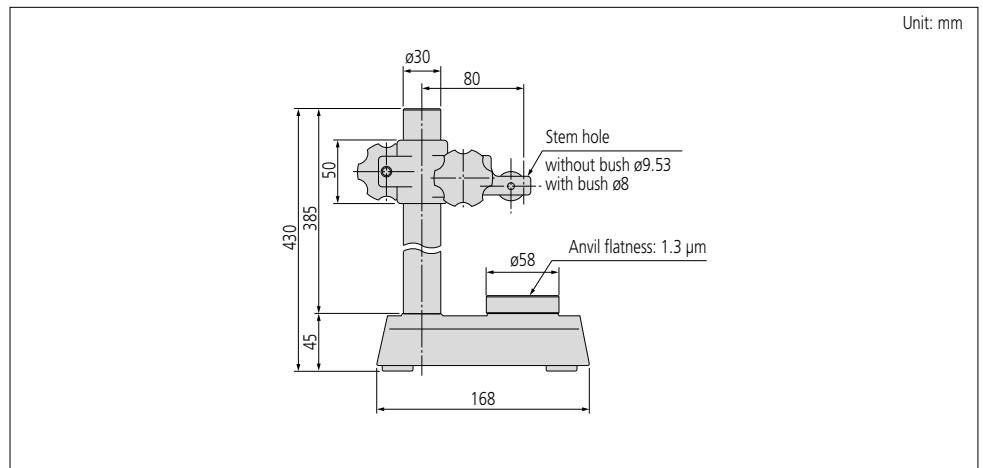
Specifications

Metric

Code No.	Column travel	Acceptable stem sizes	Remarks
519-109-10	0 - 320 mm	ø8 mm, ø9.53 mm	With serrated anvil

Note: perpendicularity of the mounting hole to the anvil: less than 0.4 mm / 100 mm.

Dimensions



Unit: mm