

Dial Test Indicators

SERIES 513 – Horizontal Dial Test Indicator

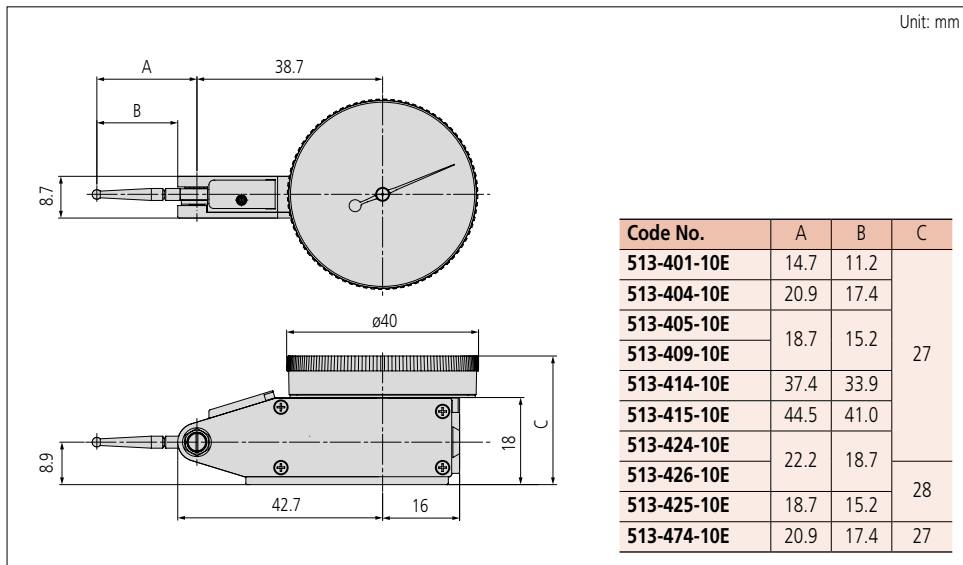
- Provides easy access to shrouded surfaces that cannot be reached with conventional dial indicators.
- No-clutch structure for automatic reversal of measuring direction.
- Resistant to water and dust thanks to the one piece bezel and O-ring seal for the crystal.
- The glare-free flat crystal face has a scratch resistant coating.
- High sensitivity and quick response due to low-friction jewelled bearings.

513-474-10E:

- Ruby contact point model.
- Higher resistance to wear.
- Non-magnetic, non-conductive tip allows use in EDM processes.



Dimensions



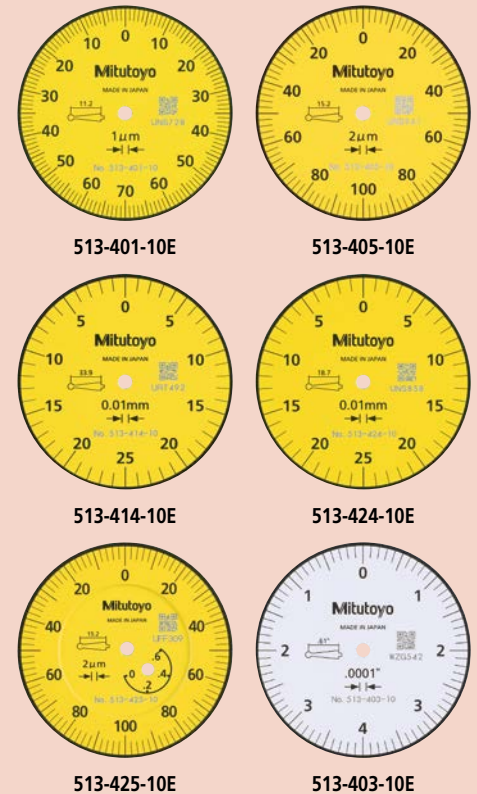
Features

Metric					
Code No.	90°	120°	150°	Diamond	EDM
513-401-10E	✓	—	—	✓	—
513-404-10E	✓	—	—	✓	—
513-405-10E	✓	—	—	✓	—
513-414-10E	✓	✓	✓	✓	—
513-415-10E	✓	—	✓	✓	—
513-424-10E	✓	✓	—	✓	—
513-425-10E	✓	—	—	✓	✓
513-426-10E	✓	✓	—	✓	✓
513-474-10E	✓	—	—	✓	—

Inch					
Code No.	90°	120°	150°	Diamond	EDM
513-402-10E	✓	—	—	✓	—
513-403-10E	✓	—	—	✓	—
513-412-10E	✓	—	✓	✓	—

Metric/inch					
Code No.	90°	120°	150°	Diamond	EDM
513-409-10T	✓	—	—	✓	—

Inch/metric					
Code No.	90°	120°	150°	Diamond	EDM
513-406-10T	✓	—	—	✓	—



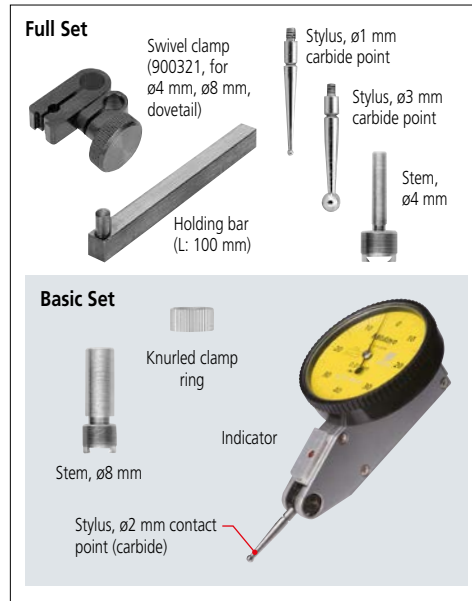
Optional Accessories

Swivel clamps, holding bars, stems and styli refer to pages F-51 to F-53 for details.

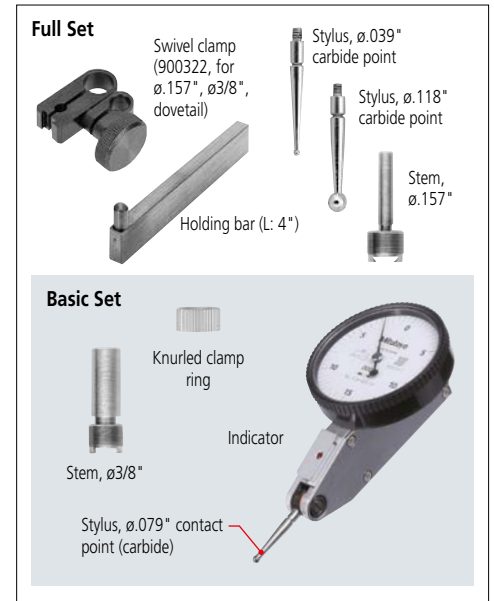
Set Configuration: Metric



Set Configuration: Metric and Metric/Inch



Set Configuration: Inch and Inch/Metric



Set Configuration: Inch



513-908-10E

Specifications

Metric						
Code No.	Graduation	Range	Accuracy	Scale	Measuring force	
Basic set						
513-424-10E	0.01 mm	0.5 mm	5 µm	0-25-0	0.3 N or less	
513-414-10E			10 µm		0.2 N or less	
513-404-10E		0.8 mm	8 µm	0-40-0	0.3 N or less	
513-474-10E*			1 mm		10 µm	0.2 N or less
513-415-10E					1.5 mm	8 µm
513-405-10E	0.002 mm	0.2 mm	3 µm	0-100-0	0.3 N or less	
513-425-10E		0.6 mm	6 µm		0.4 N or less	
513-401-10E	0.001 mm	0.14 mm	3 µm	0-70-0	0.3 N or less	
Full set						
513-424-10T	0.01 mm	0.5 mm	5 µm	0-25-0	0.3 N or less	
513-414-10T			10 µm		0.2 N or less	
513-404-10T		0.8 mm	8 µm	0-40-0	0.3 N or less	
513-415-10T			1 mm		10 µm	0-50-0
513-405-10T	0.002 mm	0.2 mm	3 µm	0-100-0	0.3 N or less	
Special set						
513-908-10E	0.01 mm	0.8 mm	8 µm	0-40-0	0.3 N or less	
Inch						
Code No.	Graduation	Range	Accuracy	Scale	Measuring force	
Basic set						
513-402-10E	.0005"	.03"	±.0005"	0-15-0	0.3 N or less	
513-412-10E					0.2 N or less	
513-403-10E	.0001"	.008"	±.0001"	0-4-0	0.3 N or less	
Full set						
513-402-10T	.0005"	.03"	±.0005"	0-15-0	0.3 N or less	
513-412-10T					0.2 N or less	
513-403-10T	.0001"	.008"	±.0001"	0-4-0	0.3 N or less	
Special set						
513-907-10E	.0005"	.03"	±.0005"	0-15-0	0.3 N or less	
Metric/inch						
Code No.	Graduation	Range	Accuracy	Scale	Measuring force	
Full set						
513-409-10T	0.002 mm / .0001"	0.2 mm / .0075"	3 µm	0-10-0/0-3.8-0	0.3 N or less	
Inch/metric						
Code No.	Graduation	Range	Accuracy	Scale	Measuring force	
Full set						
513-406-10T	.0005" / 0.01 mm	.03" / 0.7 mm	±.0005"	0-15-0/0-35-0	0.3 N or less	

* Provided with a ø2 mm ruby contact point as a substitute for ø2 mm carbide contact point.