

## Technical Data

Scale type:	ABSOLUTE electrostatic linear encoder
Max. response speed:	Unlimited
Power supply:	Solar cell*1
Operational temperature:	0 to 40°C

\*1 Can be used continuously above 60 lux ambient illumination

## Functions

### ABSOLUTE system measurement:

After power is turned ON, measurement can be started without zero-setting if origin-setting was previously performed. The ABS (absolute) origin position can be changed by the ORIGIN button.

### Zero-setting (INC measurement mode):

Displayed value can be set to zero at any arbitrary position of the slider for comparative measurements.

### Data output:

Models equipped with this function have an output port for transferring measurement data to a Statistical Process Control (SPC) system.

### Data hold:

By using the data hold unit (option), the displayed value can be held. This cannot be used with the data output function.

### Inch/mm selection:

Switches the units of measurement (at any time).

### Alerts:

In the unlikely event of a display overflow or calculation error, an error message is displayed and measurement stops. Measurement cannot continue until the error is corrected. If contamination on the surface of the scale causes a calculation error, an error message is displayed and measurement stops.

## Optional Accessories\*2

Code No.	Description
264-621	U-WAVE-TC transmission unit
959143	Data hold unit
959149	SPC data cable with pushbutton (1 m)
959150	SPC data cable with pushbutton (2 m)
02AZF300	U-WAVE-TC connection unit
06AFM380C	USB input tool direct USB-ITN-C (2 m)

\*2 Only for models with data output function

## SERIES 500 – ABSOLUTE Digimatic Solar Caliper

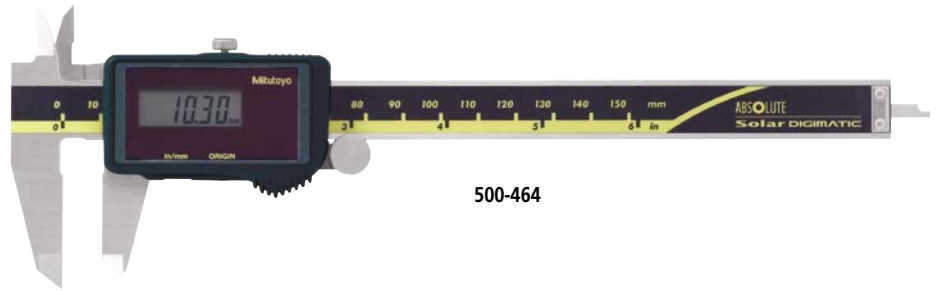
- Mitutoyo's ABSOLUTE Digimatic Solar Caliper retains its origin point indefinitely.
- At 60 Lux and above the ABSOLUTE Solar Caliper is ready to start measurement. No more repeated zero setting caused by a shortage of light.
- Can measure outside and inside dimensions, depth, and steps.
- Slider operation is smooth and comfortable.
- An ABSOLUTE scale is incorporated so that zero setting is not required at each power ON. No danger of overspeed errors.
- Allows integration into statistical process control and measurement systems for models with measurement data output connector.

**MeasurLink** ENABLED  
Data Management Software by Mitutoyo

**ABSOLUTE**



**SOLAR**



500-464

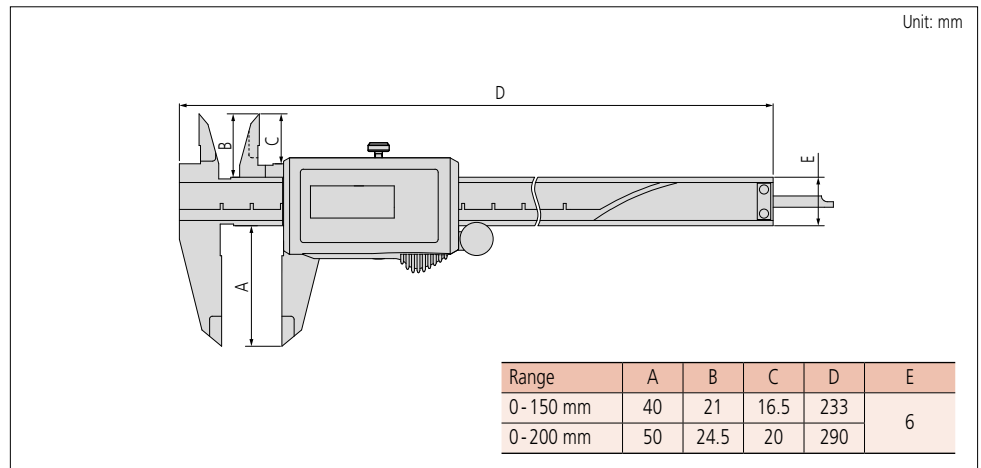
## Specifications

### Inch/Metric

Code No.	Range	Resolution	Accuracy*3	Repeatability
<b>With SPC data output</b>				
500-464	0 - 150 mm (0 - 6")	0.01 mm (.0005")	±0.02 mm (±.001")	0.01 mm
500-465	0 - 200 mm (0 - 8")			
<b>Without SPC data output</b>				
500-474	0 - 150 mm (0 - 6")	0.01 mm (.0005")	±0.02 mm (±.001")	0.01 mm
500-475	0 - 200 mm (0 - 8")			

\*3 Excluding quantizing error.

## Dimensions



Smooth slider movement makes for comfortable operation.

High quality guide surface finish for smooth slider movement.

