

FEATURES

- PES cylinders with Ø 63 to 125 mm can be fitted with a larger diameter piston rod than standard

Ø (mm)	rod Ø (ØMM)		rod end thread Ø (ØKK)	
	standard	oversize	standard	oversize
63	20	25	M16x1,5	M20x1,5
80	25	30	M20x1,5	M27x2
100	25	32	M20x1,5	M27x2
125	32	40	M27x2	M36x2

GENERAL

Detection	Equipped for magnetic position detectors
Fluid	Air or neutral gas, filtered, lubricated or not
Operating pressure	10 bar max.
Ambient temperature	-20°C to +70°C
Standards	ISO 15552 - AFNOR NF ISO 15552 - DIN ISO 15552
Cushioning	Pneumatic, only at rear



Oversize rod not possible for cylinders with:
 ■ Rod boot
 ■ Rod lock
 ■ Anti-rotation piston rod

SPECIFICATIONS

DEFINING THE CYLINDER WITH PROFILED BARREL CATALOGUE NUMBER

Standard version: profiled barrel with adjustable pneumatic cushioning, equipped for magnetic position detectors (T-slot grooves in 12 o'clock position). Other versions available (see tables below).

To order, please specify:

- **CYLINDER**
 - The cylinder type (profiled, with cushioning, equipped for magnetic position detectors).
 - The position of the T-slot groove or dovetail groove on the cylinder.
 - The cylinder diameter and its stroke.
- **DETECTORS**: The magnetic position detectors must be ordered separately:
 - "T" model (see page P291), reed switch or magneto-resistive type

453 5

barrel	cylinder type		type
	cushioning	position detection	
Profiled barrel	Cushioned	Equipped	20

groove position		type
Position of the T-slot grooves on the profiled PES cylinder	12 o'clock	0
	3 o'clock	3
	6 o'clock	6
	9 o'clock	9
Position of the dovetail grooves on the profiled PES cylinder	12 o'clock	9
	3 o'clock	0
	6 o'clock	3
	9 o'clock	6

Ø (mm)	standard stroke (mm) (1) (recommended standard stroke)											max. stroke (mm)					
	25	50	80	100	125	160	200	250	320	400	500		630	700	800	900	1000
63	•	•	•	•	•	•	•	•	•	•	•	•	•	•	•	•	1800
80	•	•	•	•	•	•	•	•	•	•	•	•	•	•	•	•	2000
100	•	•	•	•	•	•	•	•	•	•	•	•	•	•	•	•	2000

(1) Others strokes (consult us)

cylinder Ø	
type	Ø (mm)
6	63
8	80
1	100

Ordering example:

- profiled cylinder with pneumatic cushioning equipped for detectors = **20**
- T-slot grooves at 3 o'clock position = **3**
- Cylinder Ø 80 mm = **8**
- Stroke 100 mm = **0100**

Ordering catalogue number : **453 5 20 3 8 0100**

CYLINDER Ø 125 mm, PROFILED BARREL: catalogue number **45051050**

ACCESSORIES: Protective groove cover and detector cable holder - see page P291

MOUNTINGS: see page P229-18

SPECIFICATIONS

DEFINING THE CYLINDER WITH TIE-RODS CATALOGUE NUMBER

To order, please specify:

■ Cylinder description:

PES cylinder with tie rods and aluminium barrel
cylinder equipped for magnetic position detectors

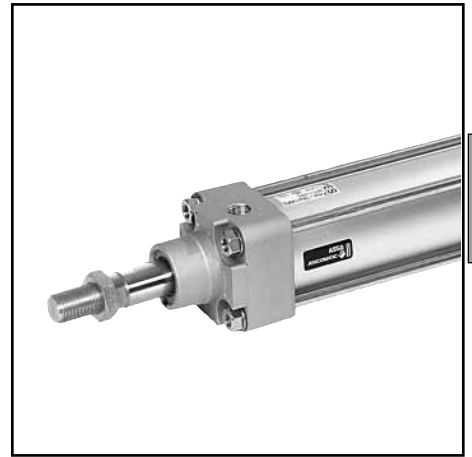
■ Cylinder catalogue number and stroke indication (in mm):

Ø (mm)	PES equipped for detectors (2) cylinder with tie rods aluminium barrel
63	45051043 ... (1)
80	45051044 ... (1)
100	45051045 ... (1)
125	45051046 ... (1)

(1) Indicate the stroke (in mm), preferably choosing standard values (see standard equipment, page P229)

(2) **The magnetic position detectors are ordered separately:**

- "T" model (see page P291), reed switch or magneto-resistive type
- "BIM" model, magneto-inductive (see page P297)



B

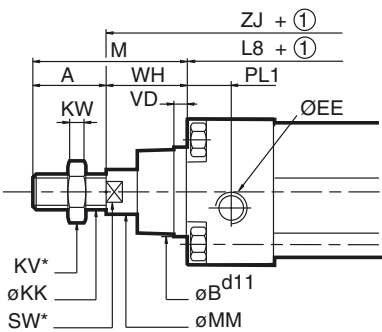
ACCESSORIES

- Female rod clevis and spherical rod end:

The following table shows all the clevises and self-aligning eyes that fit oversize rod ends with allowance for the rod end thread diameter difference.

Ø (mm)	catalogue number	
	female rod clevis ISO 8140	spherical rod end ISO 8139
63	43400019	43400004
80	43400020	43400005
100	43400020	43400005
125	43400021	43400006

DIMENSIONS (mm)

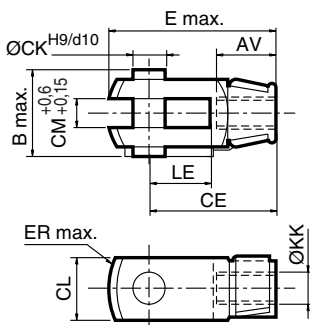


Cylinder with profiled barrel
Ø 63 to 125 mm
Cylinder with tie rods
Ø 63 to 125 mm

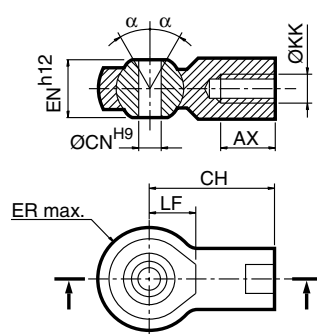
Ø (mm)	A	ØB	ØEE	ØKK	KV	KW	L8	M	ØMM	PL1	SW	VD	WH	ZJ
63	40	45	G3/8	M20x1,5	30	10	121	86	25	26	22	6	46	167
80	54	45	G3/8	M27x2	41	13,5	128	119	30	24	27	6	65	193
100	54	55	G1/2	M27x2	41	13,5	138	119	32	25	27	6	65	203
125	72	60	G1/2	M36x2	55	18	160	152	40	32	36	10	80	240

① Stroke
* Size across flats

Female rod clevis AP2-ISO 8140



Spherical rod end AP6-ISO 8139



Ø (mm)	AV	AX	B	CE	CH	ØCK	CL	CM
63	33	33	48	80	40	20	40	20
80	51	51	65	110	110	30	55	30
100	51	51	65	110	110	30	55	30
125	56	56	84	144	125	35	70	35

Ø (mm)	ØCN	E	EN	ER	ØKK	LE	LF	α
63	20	112	25	25	M20x1,5	40	26	4°
80	30	155	37	35	M27x2	54	36	4°
100	30	155	37	35	M27x2	54	36	4°
125	35	201	43	40	M36x2	72	41	4°